

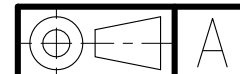
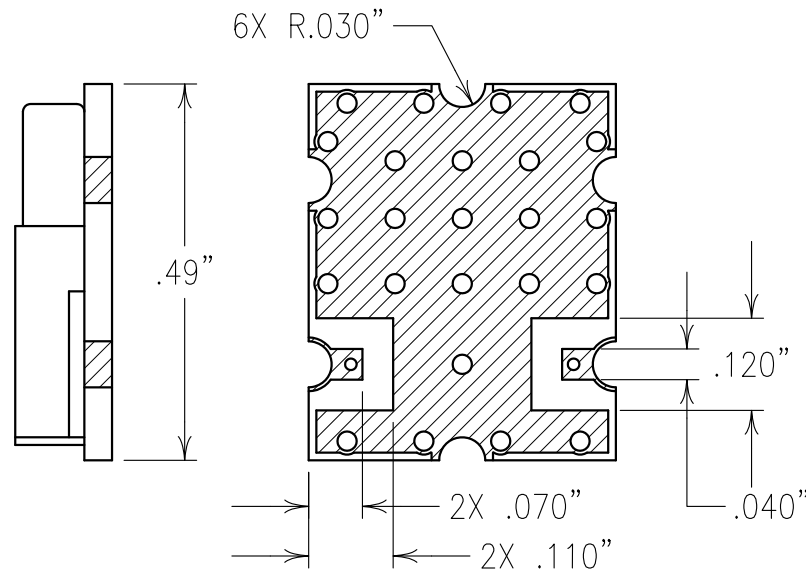
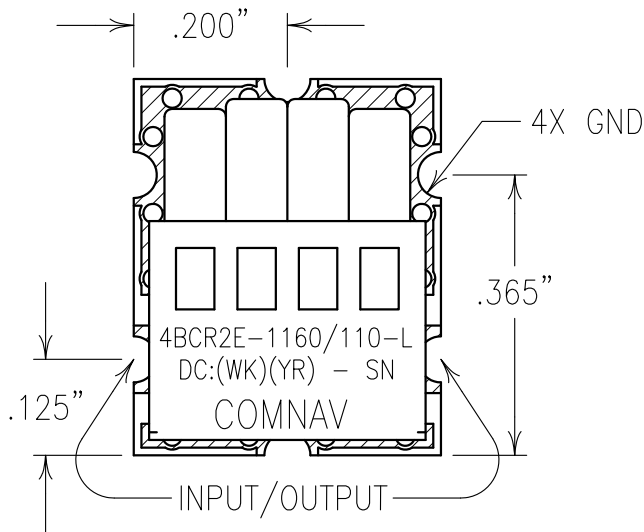
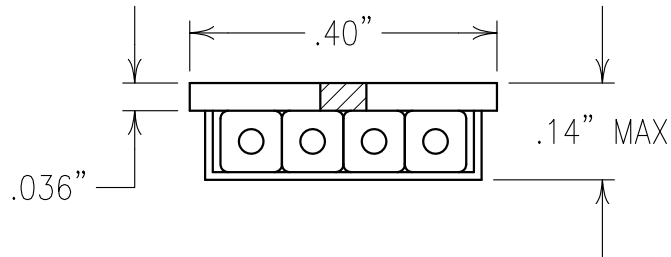
2

1

**COPY**

### ELECTRICAL CHARACTERISTICS

CENTER FREQUENCY: 1160 MHz  
 3 dB BANDWIDTH: 100 MHz MIN  
 VSWR: 1.7:1 TYPICAL  
 INSERTION LOSS: 2.0 dB MAX @ FO  
 REJECTION: 50 dBc MIN @ FO±350 MHz



NOTES:  
 FILTER MAY BE LABELED OR ETCHED.  
 FILTER IS ROHS COMPLIANT.

ENGLISH / METRIC ENGLISH		CHECKED BY					
TOLERANCES UNLESS OTHERWISE SPECIFIED		DRAWN BY					
MACHINED SURFACES TO BE 125 / OR BETTER		PBF		II	09JAN17	MJG	DEV.
REMOVE ALL BURRS		ENGINEER		REV	DATE	BY	DCN No.
		MJG					REMARKS
ENGLISH (INCHES)	METRIC (MM)	SCALE		APPLIC: CERAMIC COAXIAL FILTER			
.XX ±.02	.X ±.25	4:1		TITLE: 4BCR2E-1160/110-L			
.XXX ±.010	.XX ±.13	DATE					
ANGLES ± 0° 30'		09JAN17					

Confidential and Proprietary information of ComNav Engineering Inc. Do Not Duplicate or Use Without Permission. ComNav Engineering Inc. claims Copyright in this document as of the Creation, last revision, and last updated dates. All Rights Reserved.



FINISH: BOARD: NI/GOLD  
 JACKET: NI/SILVER  
 RESONATOR: SILVER

DRAWING No.

OL1610

SHEET OF 1 1