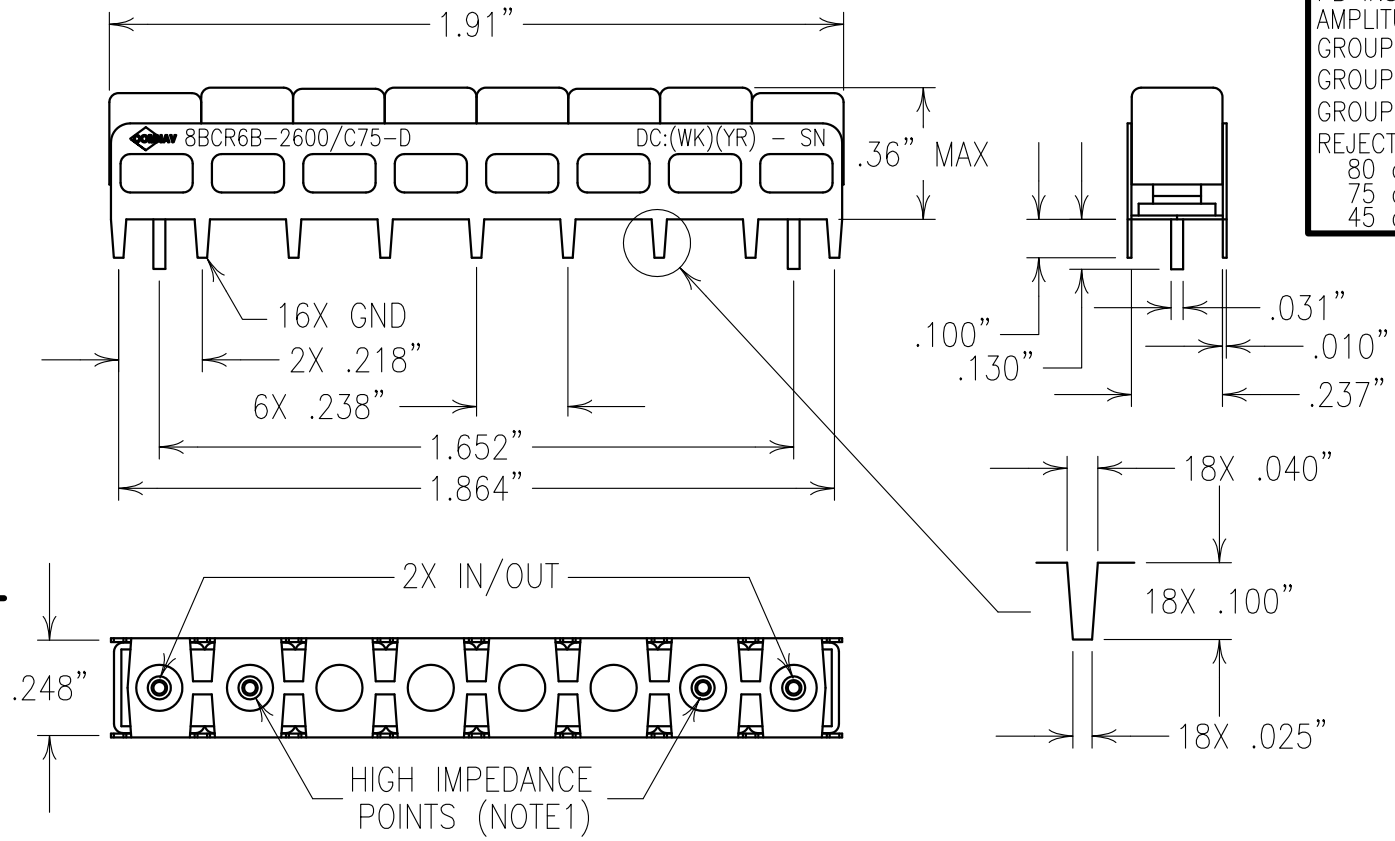


2

1

ELECTRICAL CHARACTERISTICS	
CENTER FREQUENCY:	2600 MHz
PASSBAND:	2600±20 MHz
PB INSERTION LOSS:	6.0 dB MAX
AMPLITUDE RESPONSE:	0.5 dB MAX FLATNESS
GROUP DELAY (LINEAR):	1.4 nSEC MAX
GROUP DELAY (PARABOLIC):	6.0 nSEC MAX
GROUP DELAY (RIPPLE):	0.7 nSEC P-P MAX
REJECTION:	
	80 dBc MIN @ 2720-2760 MHz
	75 dBc MIN @ 2670 MHz
	45 dBc MIN @ 2530 MHz

B



**COPY**

Confidential and Proprietary information of ComNav Engineering Inc. Do Not Duplicate or Use Without Permission. ComNav Engineering Inc. claims Copyright in this document as of the Creation, last revision, and last updated dates. All Rights Reserved.

NOTES:  
 1) THERE MUST BE A MINIMUM OF 0.050 AIR SPACE BETWEEN GROUND AND HIGH IMPEDANCE POINTS. THIS MAY BE ACCOMPLISHED BY RAISING THE FILTER OR DRILLING OUT THE BOARD.

FILTER IS ROHS COMPLIANT.  
 FILTER MAY BE LABELED OR ETCHED.

ENGLISH / METRIC ENGLISH	CHECKED BY								
TOLERANCES UNLESS OTHERWISE SPECIFIED MACHINED SURFACES TO BE 125 / OR BETTER REMOVE ALL BURRS	DRAWN BY PBF	II	20DEC16	KJR	DEV.	INI. ISS. PER 4079			
ENGLISH (INCHES) .XX ±.02 .XXX ±.010	METRIC (MM) .X ±.5 .XX ±.25	SCALE 2:1	DATE 21DEC16	APPLIC: CERAMIC COAXIAL FILTER	TITLE: 8BCR6B-2600/C75-D	DRAWING No. 0L1609			
ANGLES ± 0° 30'	FINISH: JACKET: NICKEL/SILVER RESONATOR: SILVER	SHEET OF 1 1							

A