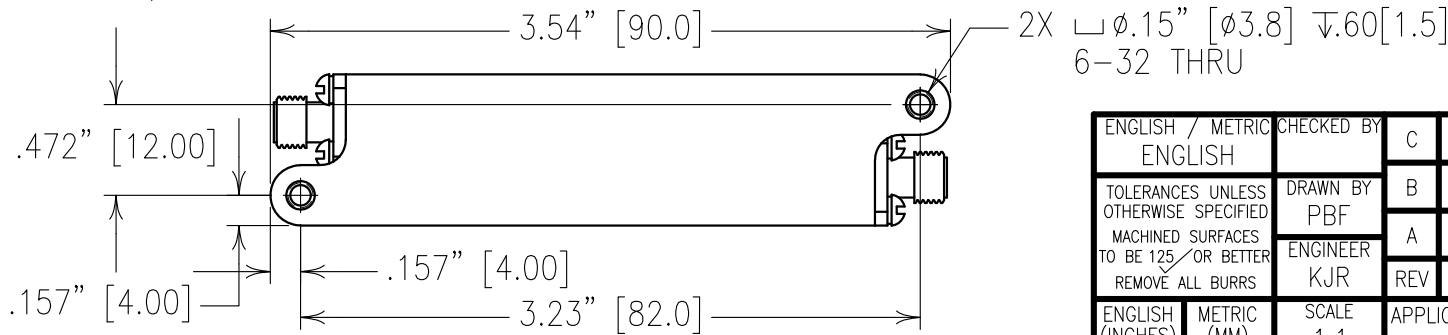
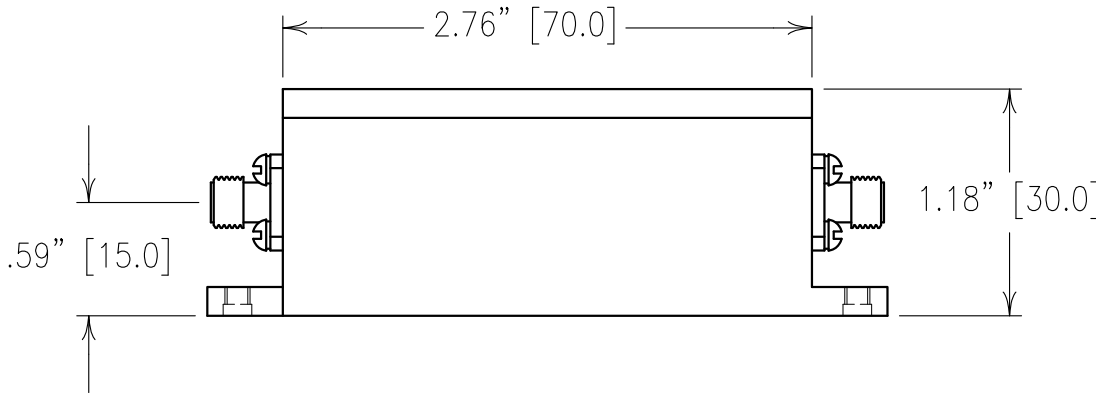
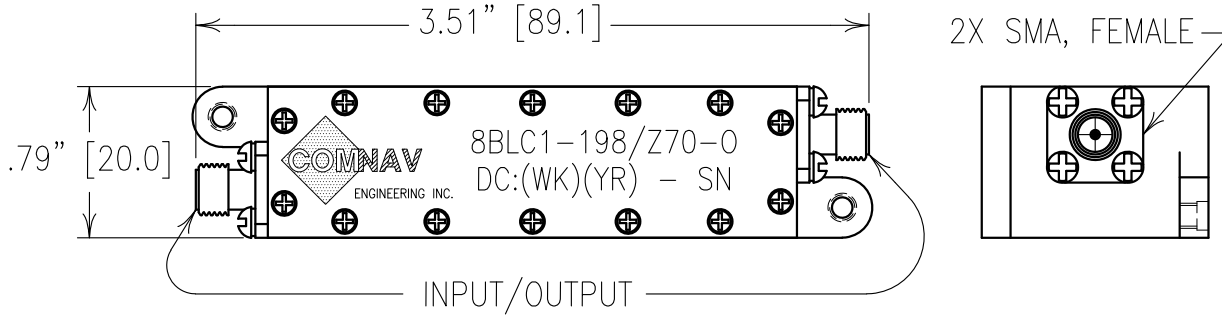


Confidential and Proprietary information of ComNav Engineering Inc. Do Not Duplicate or Use Without Permission. ComNav Engineering Inc. claims Copyright in this document as of the Creation, last revision, and last updated dates. All Rights Reserved.

ELECTRICAL CHARACTERISTICS

CENTER FREQUENCY: 198 MHz NOM  
 3 dB BANDWIDTH: 70 MHz NOM  
 PASSBAND: 176-220 MHz  
 PASSBAND LOSS: 0.8 dB AT ROOM  
 0.9 dB AT HOT  
 PASSBAND VSWR: 1.7:1 MAX  
 REJECTION:  
 40 dBc MIN @ DC-88 MHz  
 15 dBc MIN @ 88-156 MHz  
 15 dBc MIN @ 244-1000 MHz  
 \*POWER HANDLING: 20 WATTS CW  
 \*OPERATING TEMP.: -45 TO +85°C  
 \*SHOCK: MIL-STD-810F, METHOD 516.5 PROC. I 40g 11ms & 90g 2ms  
 \*VIBRATION: MIL-STD-810F, METHOD 514.5 (WHEELED & TRACKED)  
 \*BENCH HANDLING: MIL-STD-810F, METHOD 516.5 PROC. VI  
 \*DESIGNED TO MEET



**COPY**

NOTES:

ENGLISH / METRIC ENGLISH	CHECKED BY	C	08MAY17	MJG	DEV.	GEN. REV. PER 4113
TOLERANCES UNLESS OTHERWISE SPECIFIED TO BE 125/ OR BETTER REMOVE ALL BURRS	DRAWN BY PBF	B	15MAR17	KJR	DEV.	GEN. REV. PER 4099
	ENGINEER KJR	A	15DEC16	MJG	DEV.	GEN. REV. PER 4077
	REVISION	REV	DATE	BY	DCN No.	REMARKS
ENGLISH (INCHES) .XX ±.02 .XXX ±.01	METRIC (MM) .X ±.2 .XX ±.13	SCALE 1:1	APPLIC: CHIP AND WIRE FILTER			
ANGLES ± 0° 30'	DATE 17MAY17	TITLE: 8BLC1-198/Z70-0	SHEET OF 1 1			



MATERIAL: ALUMINUM  
 FINISH: SILVER

DRAWING No.  
 OL1608