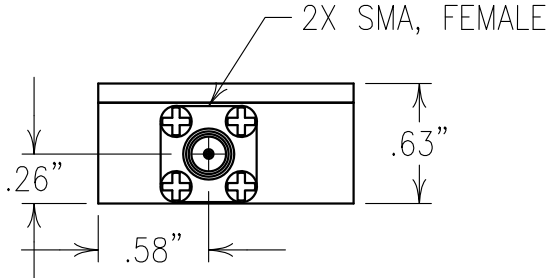
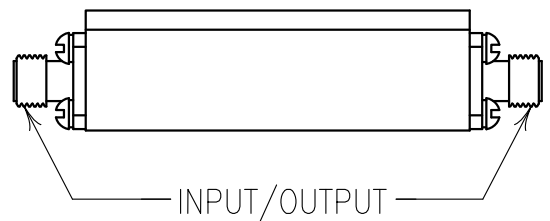
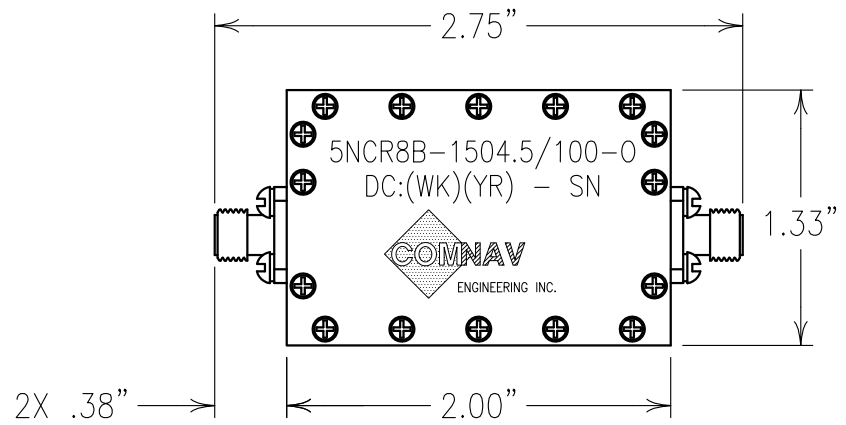


2

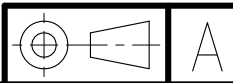
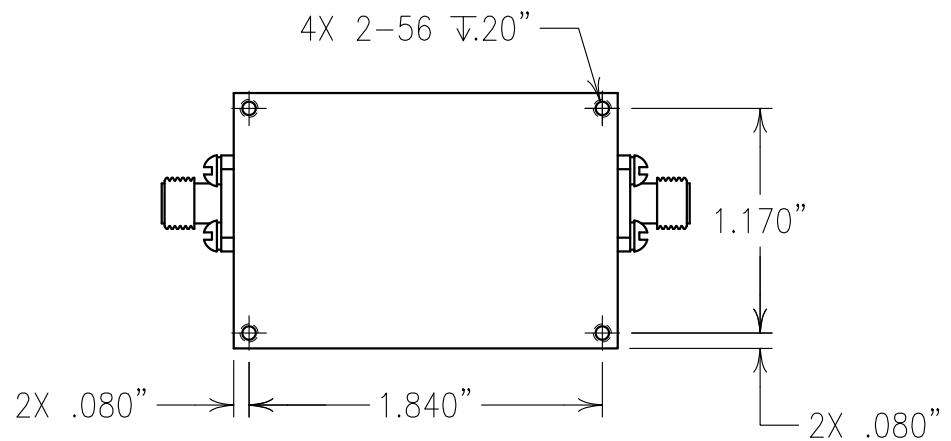
1

ELECTRICAL CHARACTERISTICS

CENTER FREQUENCY: 1504.5 MHz NOM
 LOWER PASSBAND: 220-1392 MHz
 UPPER PASSBAND: 1617-2500 MHz
 P.B. INSERTION LOSS: 1.0 dB MAX
 PASSBAND VSWR: 1.5:1 MAX
 REJECTION:
 64 dB MIN @ 1492-1517 MHz
 INPUT POWER: 50 W (47 dBm)
 OPERATING TEMP.: -18 TO +71°C



COPY



Confidential and Proprietary information of ComNav Engineering Inc. Do Not Duplicate or Use Without Permission. ComNav Engineering Inc. claims Copyright in this document as of the Creation, last revision, and last updated dates. All Rights Reserved.

ENGLISH / METRIC ENGLISH	CHECKED BY				
TOLERANCES UNLESS OTHERWISE SPECIFIED	DRAWN BY				
MACHINED SURFACES TO BE 125 /OR BETTER REMOVE ALL BURRS	PBF	II	07SEP16	KJR	DEV. INI. ISS. PER 4052
	ENGINEER	REV	DATE	BY	DCN No.
	KJR				REMARKS

ENGLISH (INCHES) .XX ±.02 .XXX ±.01	METRIC (MM) .X ±.2 .XX ±.13	SCALE 1:1	APPLIC: CERAMIC FILTER
ANGLES ± 0° 30'		DATE 07SEP16	TITLE: 5NCR8B-1504.5/100-0
		SHEET OF 1 1	

MATERIAL: ALUMINUM	DRAWING No.
FINISH: SILVER	OL1602

