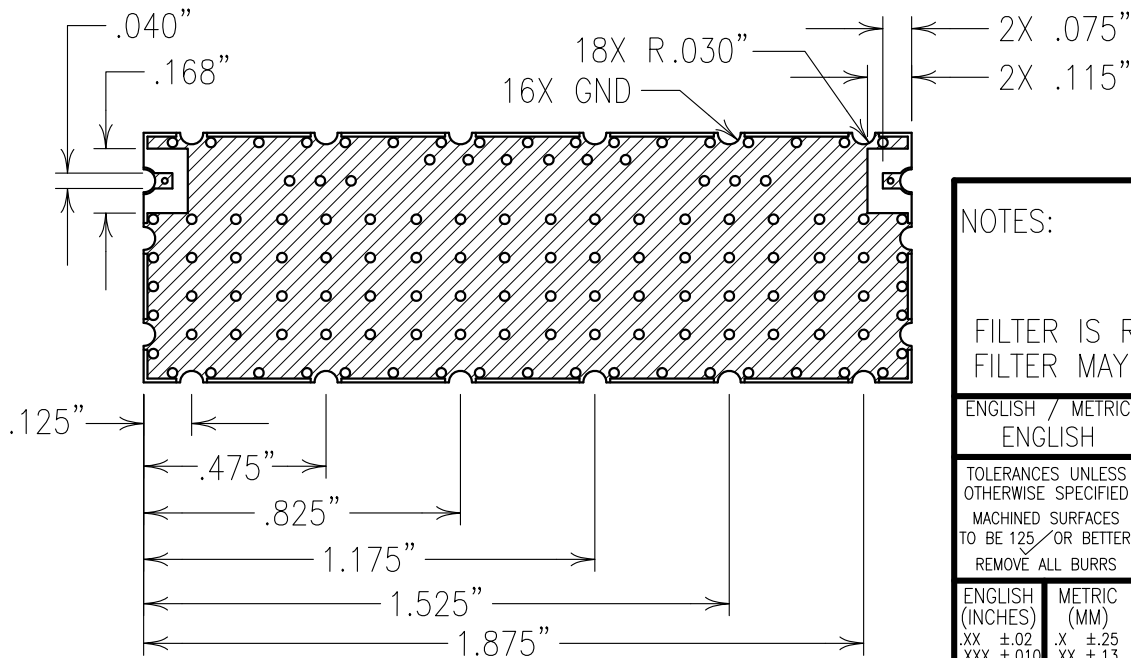
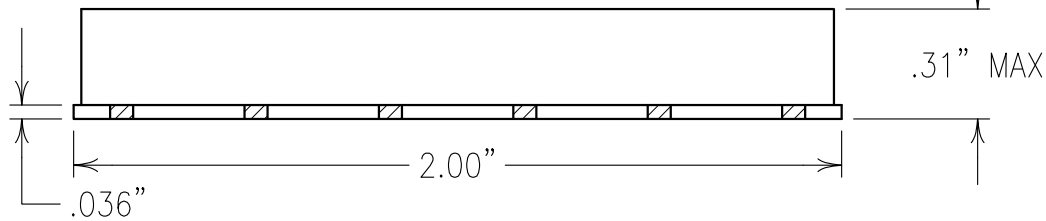
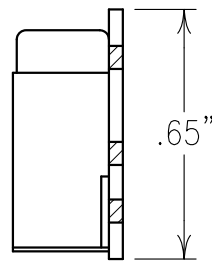
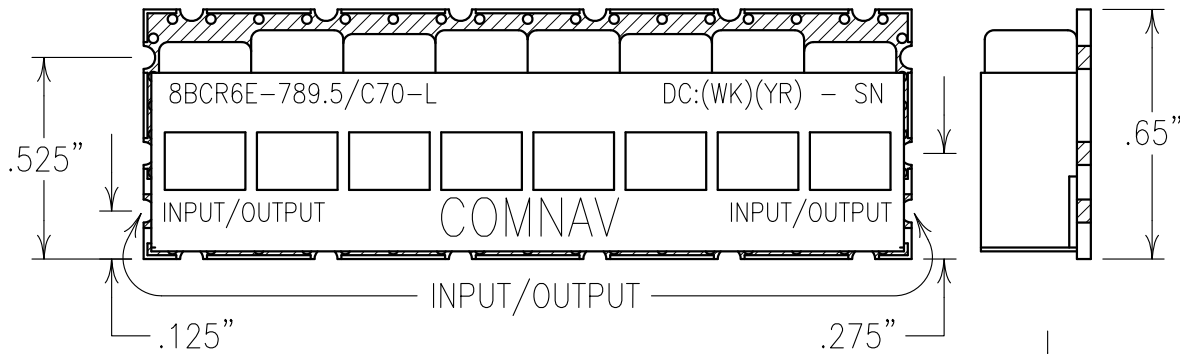


2

1



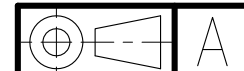
ELECTRICAL CHARACTERISTICS

CENTER FREQUENCY: 789.5 MHz NOM
 PASSBAND: 758-821 MHz
 PB INSERTION LOSS: 3.0 dB MAX
 PASSBAND VSWR: 1.5:1 TYP. MAX
 REJECTION:
 30 dBc MIN @ 748 MHz
 30 dBc MIN @ 832 MHz
 INPUT POWER HANDLING: 10 WATTS

COPY

NOTES:

FILTER IS ROHS COMPLIANT.
 FILTER MAY BE LABELED OR ETCHED.



ENGLISH / METRIC ENGLISH	CHECKED BY					
TOLERANCES UNLESS OTHERWISE SPECIFIED	DRAWN BY	A	11NOV16	KJR	DEV.	GEN. REV. PER 4070
MACHINED SURFACES TO BE 125 OR BETTER	ENGINEER	II	24AUG16	KJR	DEV.	INI. ISS. PER 4049
REMOVE ALL BURRS	KJR	REV	DATE	BY	DCN No.	REMARKS
ENGLISH (INCHES) .XX ±.02 XXX ±.010	METRIC (MM) .X ±.25 XX ±.13	SCALE 2:1	APPLIC: COAXIAL FILTER			
ANGLES ± 0° 30'	DATE 11NOV16	TITLE: 8BCR6E-789.5/C70-L				

Confidential and Proprietary information of ComNav Engineering Inc. Do Not Duplicate or Use Without Permission. ComNav Engineering Inc. claims Copyright in this document as of the Creation, last revision, and last updated dates. All Rights Reserved.



FINISH: BOARD: NI/AU PLATED COPPER
 JACKET: NI/SILVER
 RESONATOR: SILVER

DRAWING No.

OL1600

SHEET OF
1 1