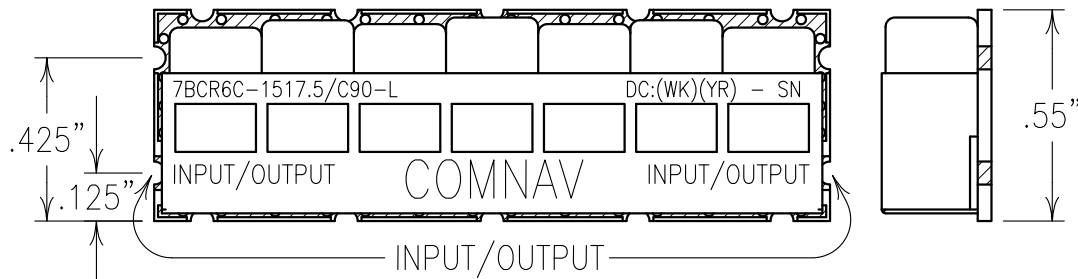


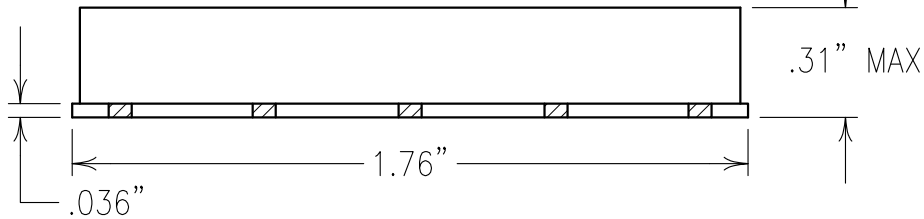
2

1

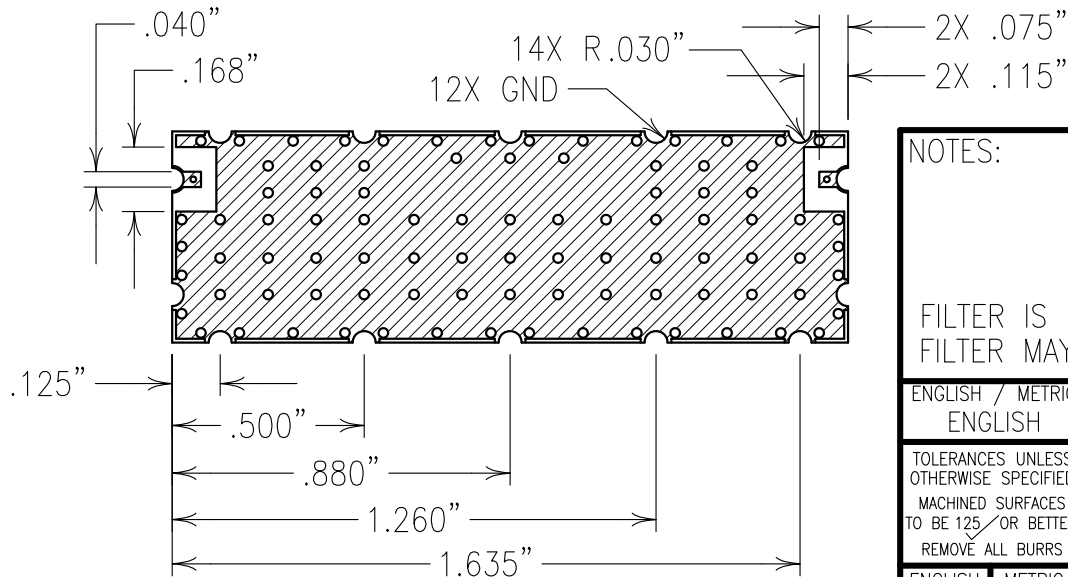


ELECTRICAL CHARACTERISTICS

CENTER FREQUENCY: 1517.5 MHz NOM
 PASSBAND: 1476-1559 MHz
 PB INSERTION LOSS: 2.5 dB MAX
 PASSBAND VSWR: 1.5:1 TYP. MAX
 REJECTION:
 30 dBc MIN @ 1463 MHz
 30 dBc MIN @ 1626 MHz
 INPUT POWER HANDLING: 10 WATTS

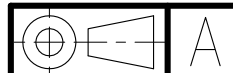


COPY



NOTES:

FILTER IS ROHS COMPLIANT.
 FILTER MAY BE LABELED OR ETCHED.



ENGLISH / METRIC ENGLISH	CHECKED BY						
TOLERANCES UNLESS OTHERWISE SPECIFIED MACHINED SURFACES TO BE 125 / OR BETTER REMOVE ALL BURRS	DRAWN BY PBF						
	ENGINEER KJR	II	24AUG16	KJR	DEV.		INI. ISS. PER 4049
		REV	DATE	BY	DCN No.		REMARKS
ENGLISH (INCHES) .XX ±.02 .XXX ±.010	METRIC (MM) .X ±.25 .XX ±.13	SCALE 2:1	APPLIC: COAXIAL FILTER				
ANGLES ± 0° 30'	DATE 31AUG16	TITLE: 7BCR6C-1517.5/C90-L					
	FINISH: BOARD: NI/AU PLATED COPPER		DRAWING No.		SHEET OF 1 1		
	JACKET: NI/SILVER		OL1595				
RESONATOR: SILVER							

Confidential and Proprietary information of ComNav Engineering Inc. Do Not Duplicate or Use Without Permission. ComNav Engineering Inc. claims Copyright in this document as of the Creation, last revision, and last updated dates. All Rights Reserved.