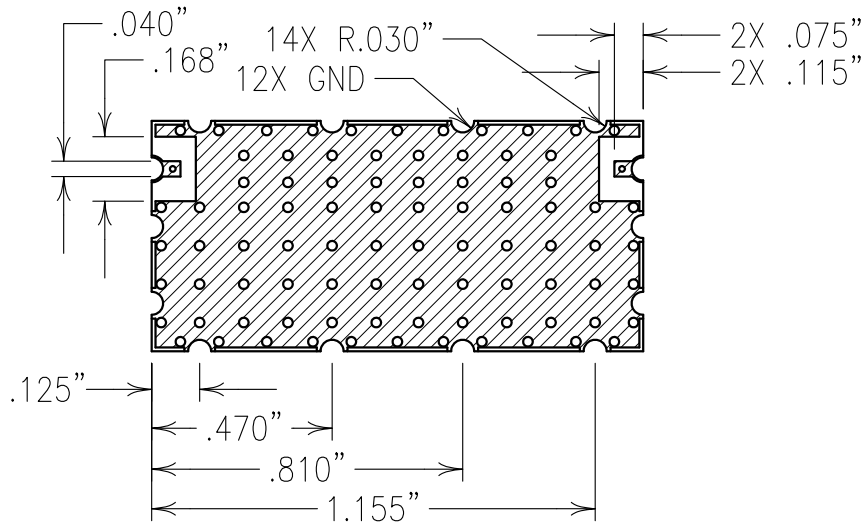
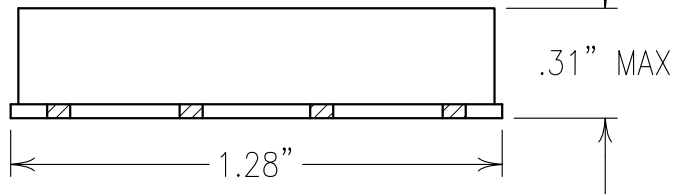
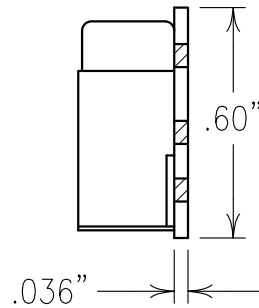
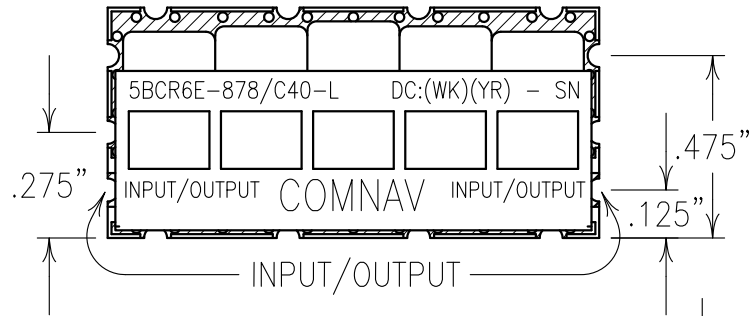


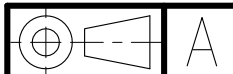
2



COPY

ELECTRICAL CHARACTERISTICS

CENTER FREQUENCY: 876.5 MHz NOM
 PASSBAND: 859-894 MHz
 PB INSERTION LOSS: 3.0 dB MAX
 PASSBAND VSWR: 1.5:1 dB TYP. MAX
 REJECTION:
 30 dBc MIN @ 849 MHz
 30 dBc MIN @ 1428 MHz
 INPUT POWER HANDLING: 10 WATTS



Confidential and Proprietary information of ComNav Engineering Inc. Do Not Duplicate or Use Without Permission. ComNav Engineering Inc. claims Copyright in this document as of the Creation, last revision, and last updated dates. All Rights Reserved.

ENGLISH / METRIC ENGLISH	CHECKED BY				
TOLERANCES UNLESS OTHERWISE SPECIFIED MACHINED SURFACES TO BE 125/ OR BETTER REMOVE ALL BURRS	DRAWN BY PBF	II	24AUG16	KJR	DEV.
	ENGINEER KJR	REV	DATE	BY	DCN No.
					REMARKS

ENGLISH (INCHES) .XX ±.02 .XXX ±.010	METRIC (MM) .X ±.50 .XX ±.25	SCALE 2:1	APPLIC: CERAMIC COAXIAL FILTER
ANGLES ± 0° 30'	DATE 30AUG16	TITLE: 5BCR6E-878/C40-L	

NOTES:

FILTER IS ROHS COMPLIANT.
 FILTER MAY BE LABELED OR ETCHED.



FINISH: BOARD: NICKEL/GOLD
 JACKET: NICKEL/SILVER

DRAWING No. 0L1592
 SHEET OF 1 1