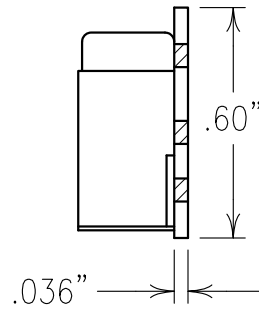
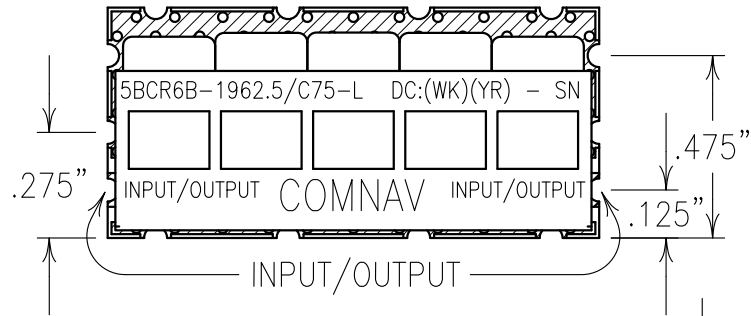


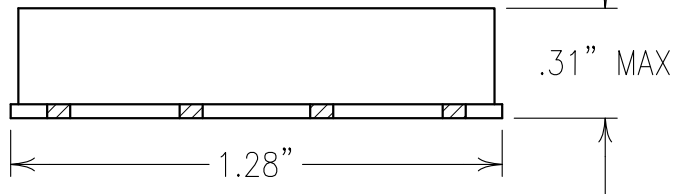
2

1

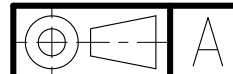
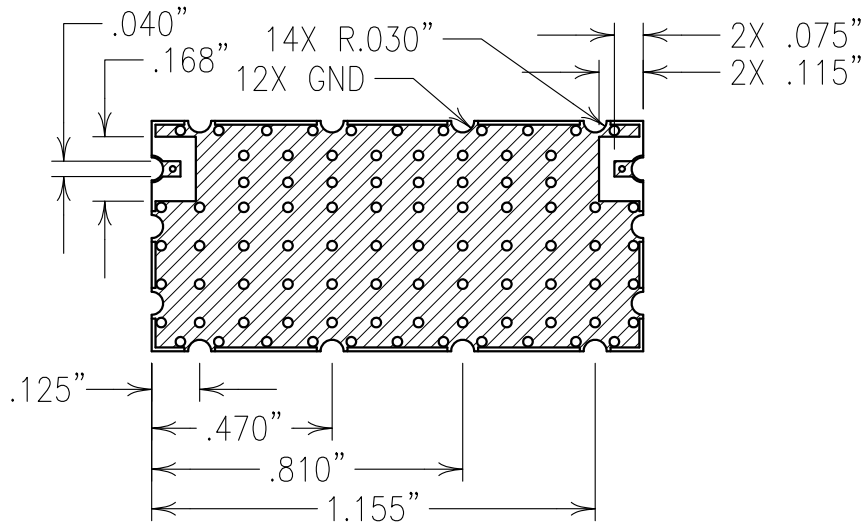


### ELECTRICAL CHARACTERISTICS

CENTER FREQUENCY: 1962.5 MHz NOM  
 PASSBAND: 1930-1995 MHz  
 PB INSERTION LOSS: 2.5 dB MAX  
 PASSBAND VSWR: 1.5:1 dB TYP. MAX  
 REJECTION:  
 30 dBc MIN @ 1915 MHz  
 30 dBc MIN @ 2110 MHz  
 INPUT POWER HANDLING: 10 WATTS



# COPY



Confidential and Proprietary information of ComNav Engineering Inc. Do Not Duplicate or Use Without Permission. ComNav Engineering Inc. claims Copyright in this document as of the Creation, last revision, and last updated dates. All Rights Reserved.

ENGLISH / METRIC ENGLISH	CHECKED BY				
TOLERANCES UNLESS OTHERWISE SPECIFIED MACHINED SURFACES TO BE 125/ OR BETTER REMOVE ALL BURRS	DRAWN BY PBF	II	24AUG16	KJR	DEV. INI. ISS. PER 4049
	ENGINEER KJR	REV	DATE	BY	DCN No. REMARKS

### NOTES:

FILTER IS ROHS COMPLIANT.  
 FILTER MAY BE LABELED OR ETCHED.

ENGLISH (INCHES) .XX ±.02 .XXX ±.010	METRIC (MM) .X ±.50 .XX ±.25	SCALE 2:1	APPLIC: CERAMIC COAXIAL FILTER
ANGLES ± 0° 30'	DATE 30AUG16	TITLE: 5BCR6B-1962.5/C75-L	

	FINISH: BOARD: NICKEL/GOLD JACKET: NICKEL/SILVER	DRAWING No. 0L1590	SHEET OF 1 1
--	-----------------------------------------------------	-----------------------	-----------------