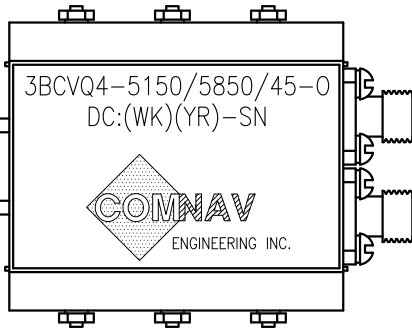


**COPY**

2

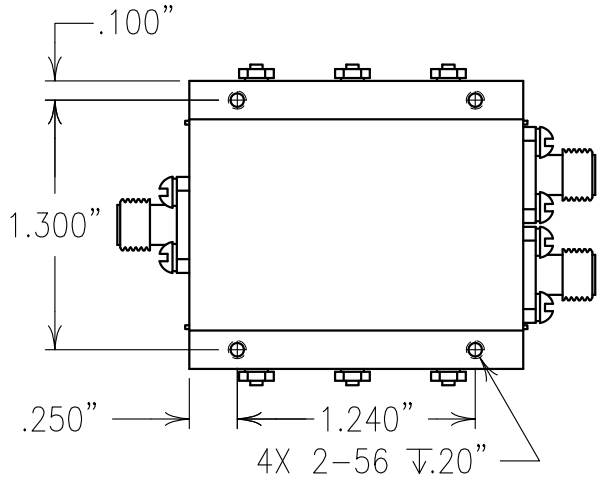
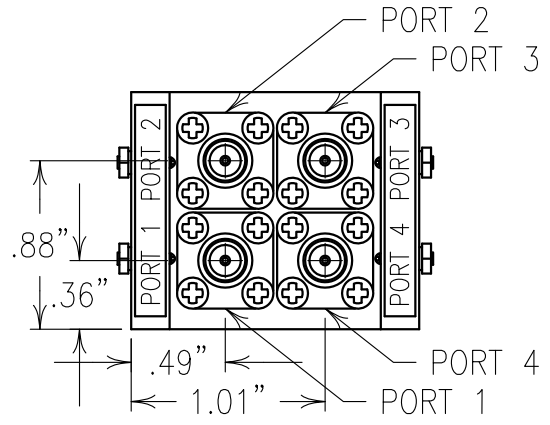
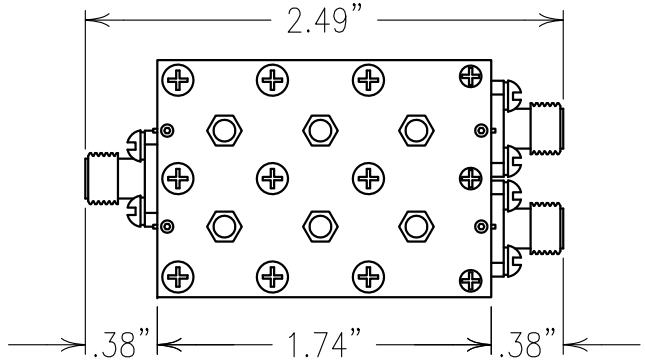
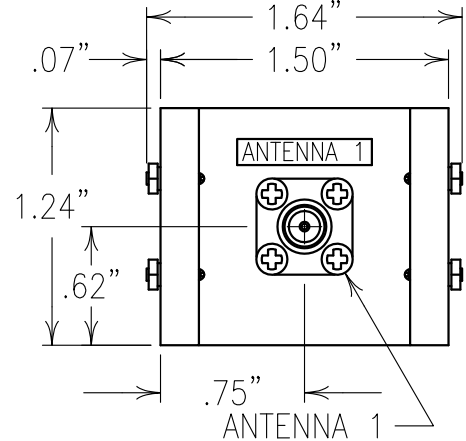
1

5X SMA, FEMALE



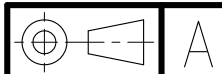
ELECTRICAL CHARACTERISTICS

ANTENNA 1:	5150-5850 MHz
PORT 1:	5160-5200 MHz
PORT 2:	5400-5440 MHz
PORT 3:	5600-5640 MHz
PORT 4:	5830-5870 MHz
P.B. INSERTION LOSS:	1.0 dB MAX
CO-CHANNEL ISOLATION:	45 dB MIN
OPERATING TEMP.:	+10 TO +60°C



NOTES:

FILTER IS ROHS COMPLIANT.  
FILTER MAY BE LABELED OR ETCHED.



ENGLISH / METRIC CHECKED BY							
ENGLISH							
TOLERANCES UNLESS OTHERWISE SPECIFIED	DRAWN BY						
MACHINED SURFACES TO BE 125 / OR BETTER REMOVE ALL BURRS	PBF	II	22APR16	MJG	DEV.	INI. ISS. PER 4017	
	ENGINEER	REV	DATE	BY	DCN No.	REMARKS	
	MJG						
ENGLISH (INCHES)	METRIC (MM)	SCALE	APPLIC: CAVITY FILTER				
.XX ±.02	.X ±.2	1:1					
.XXX ±.01	.XX ±.13	DATE	TITLE: 3BCVQ4-5150/5850/45-0		SHEET OF		
ANGLES ± 0° 30'		17MAY16			1 1		

Confidential and Proprietary information of ComNav Engineering Inc. Do Not Duplicate or Use Without Permission. ComNav Engineering Inc. claims Copyright in this document as of the Creation, last revision, and last updated dates. All Rights Reserved.



MATERIAL: ALUMINUM  
FINISH: SILVER

DRAWING No.  
0L1574