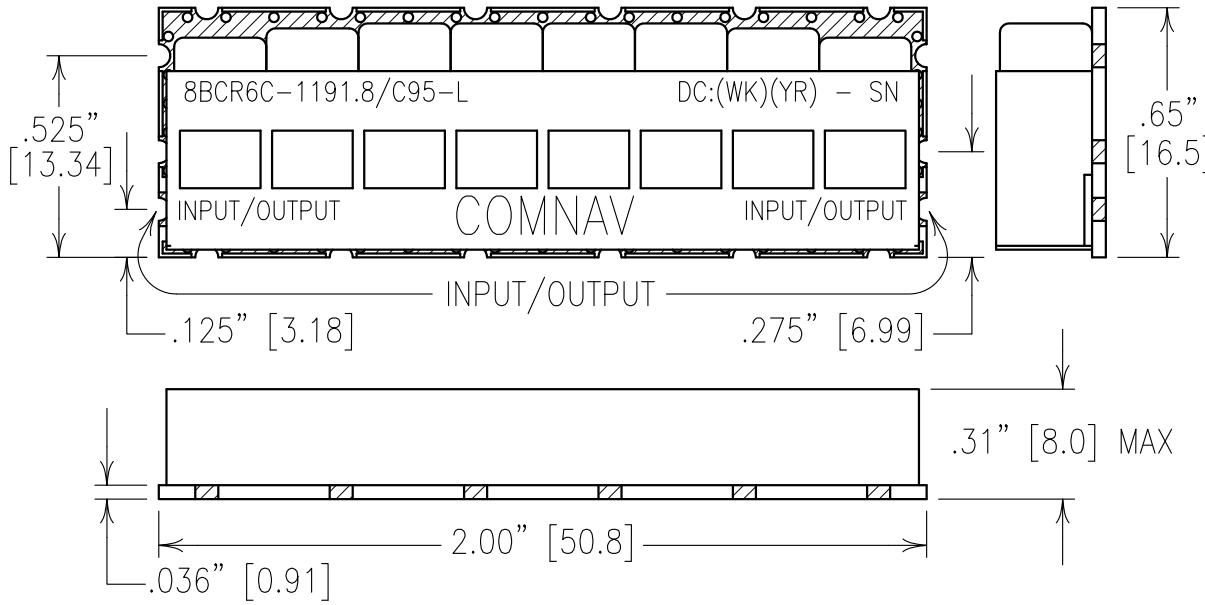


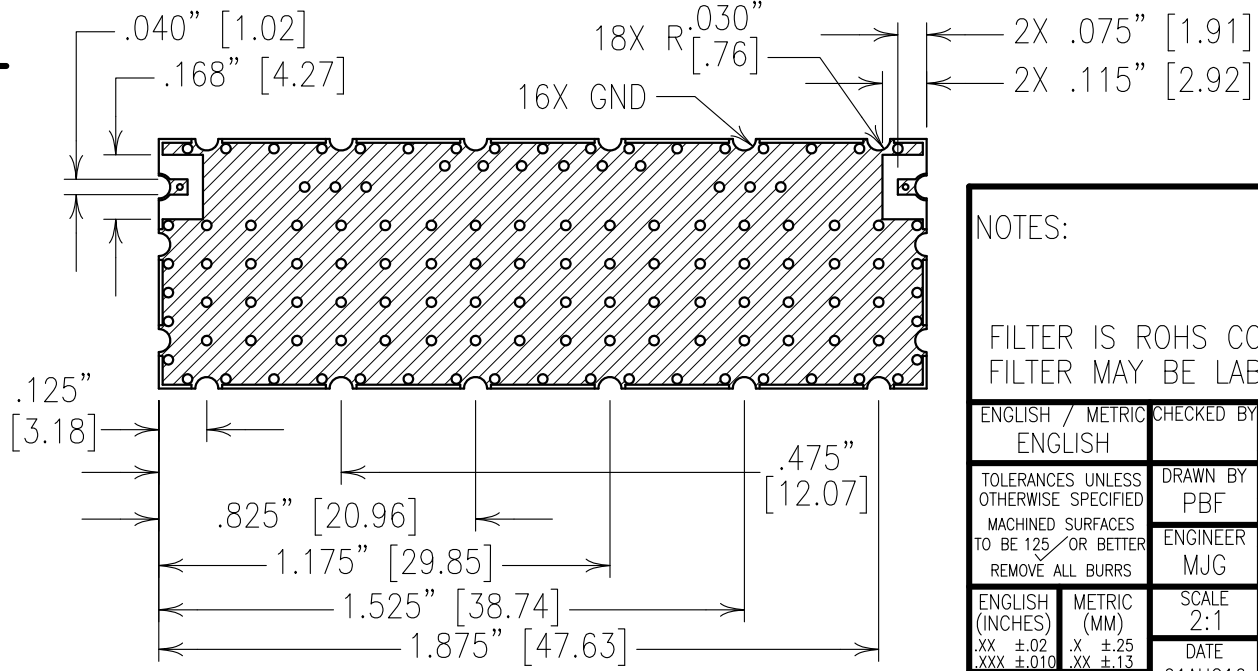
2

1



ELECTRICAL CHARACTERISTICS	
CENTER FREQUENCY:	1191.795 MHz NOM
3 dB BANDWIDTH:	95 MHz NOM
LOSS @ F0:	2.0 dB MAX
PASSBAND:	1145.795–1237.795 MHz
PASSBAND RIPPLE:	<2.0 dB P-P
1165.295–1218.295 MHz:	1.0 dB MAX RIPPLE P-P
PASSBAND VSWR I/O:	15 dB MIN
GROUP DELAY:	3.75 nSEC MAX @ 1165.295–1218.295 MHz
GROUP DELAY STABILITY:	0.5 nSEC MAX OVER 20–24 °C
REJECTION:	
	50 dBc MIN @ 1112 & 1272 MHz
	15 dBc MIN @ 1246 MHz

**COPY**



NOTES:

FILTER IS ROHS COMPLIANT.  
FILTER MAY BE LABELED OR ETCHED.

ENGLISH / METRIC ENGLISH	CHECKED BY					
TOLERANCES UNLESS OTHERWISE SPECIFIED MACHINED SURFACES TO BE 125 OR BETTER REMOVE ALL BURRS	DRAWN BY PBF	A	01AUG16	MJG	DEV.	GEN. REV. PER 4034
	ENGINEER MJG	II	21APR16	MJG	DEV.	INI. ISS. PER 4015
		REV	DATE	BY	DCN No.	REMARKS
ENGLISH (INCHES) .XX ±.02 XXX ±.010	METRIC (MM) .X ±.25 .XX ±.13	SCALE 2:1	APPLIC: COAXIAL FILTER			
ANGLES ± 0° 30'	DATE 01AUG16	TITLE: 8BCR6C-1191.8/C95-L				
FINISH: BOARD: NI/AU PLATED COPPER JACKET: NI/SILVER RESONATOR: SILVER		DRAWING No. OL1573		SHEET OF 1 1		

Confidential and Proprietary information of ComNav Engineering Inc. Do Not Duplicate or Use Without Permission. ComNav Engineering Inc. claims Copyright in this document as of the Creation, last revision, and last updated dates. All Rights Reserved.

