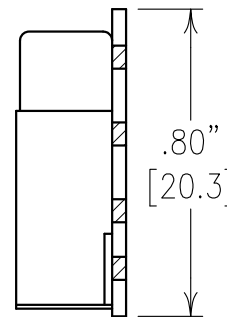
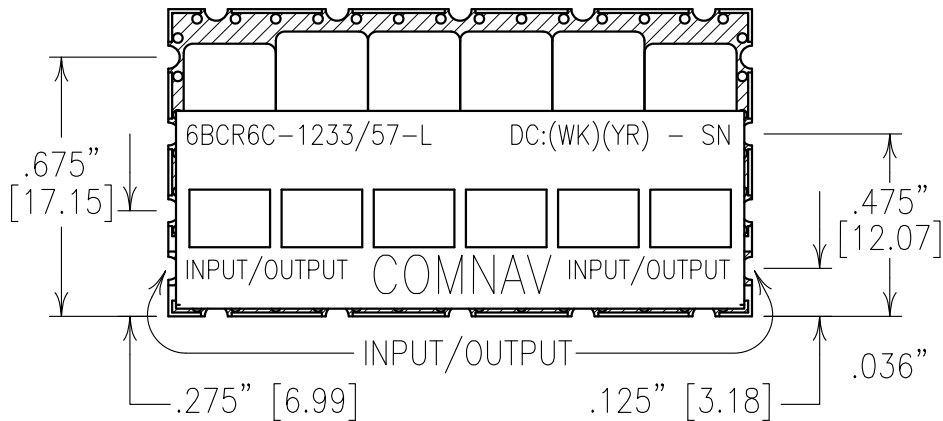


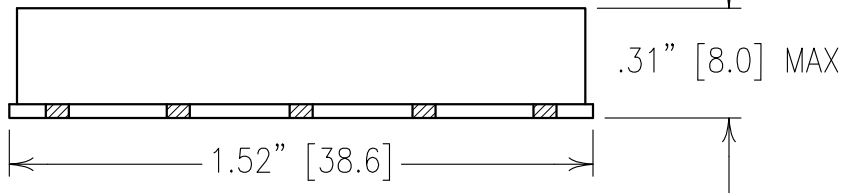
2

1

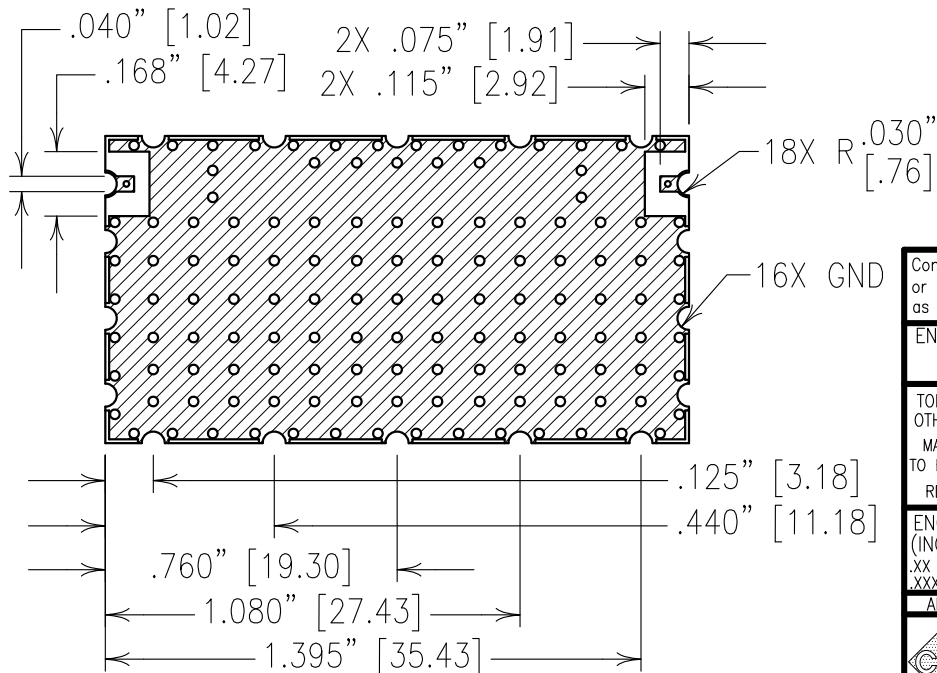


ELECTRICAL CHARACTERISTICS

CENTER FREQUENCY:	1233 MHz NOM
3 dB BANDWIDTH:	57 MHz NOM
LOSS @ F0:	2.0 dB MAX
1 dB PASSBAND:	1212-1254 MHz
PASSBAND VSWR I/O:	15 dB MIN
DELAY VAR:	<5.0 nSEC P-P @ 1242-1249 MHz
GROUP DELAY STABILITY:	0.5 nSEC MAX OVER 20-24 °C
REJECTION:	50 dBc MIN @ 1166 & 1306 MHz

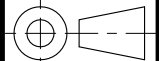


COPY



NOTES:

FILTER IS ROHS COMPLIANT.
FILTER MAY BE LABELED OR ETCHED.

Confidential and Proprietary information of ComNav Engineering Inc. Do Not Duplicate or Use Without Permission. ComNav Engineering Inc. claims Copyright in this document as of the Creation, last revision, and last updated dates. All Rights Reserved.					
ENGLISH / METRIC ENGLISH	CHECKED BY				
TOLERANCES UNLESS OTHERWISE SPECIFIED MACHINED SURFACES TO BE 125 / OR BETTER REMOVE ALL BURRS	DRAWN BY PBF	II	21APR16	MJG	DEV.
	ENGINEER MJG	REV	DATE	BY	DCN No.
ENGLISH (INCHES) .XX ±.02 XXX ±.010	METRIC (MM) .X ±.25 XX ±.13	SCALE 2:1	APPLIC: COAXIAL FILTER		
ANGLES ± 0° 30'	DATE 27APR16	TITLE: 6BCR6C-1233/57-L			
	FINISH: BOARD: NI/AU PLATED COPPER JACKET: NI/SILVER RESONATOR: SILVER		DRAWING No. OL1572		SHEET OF 1 1