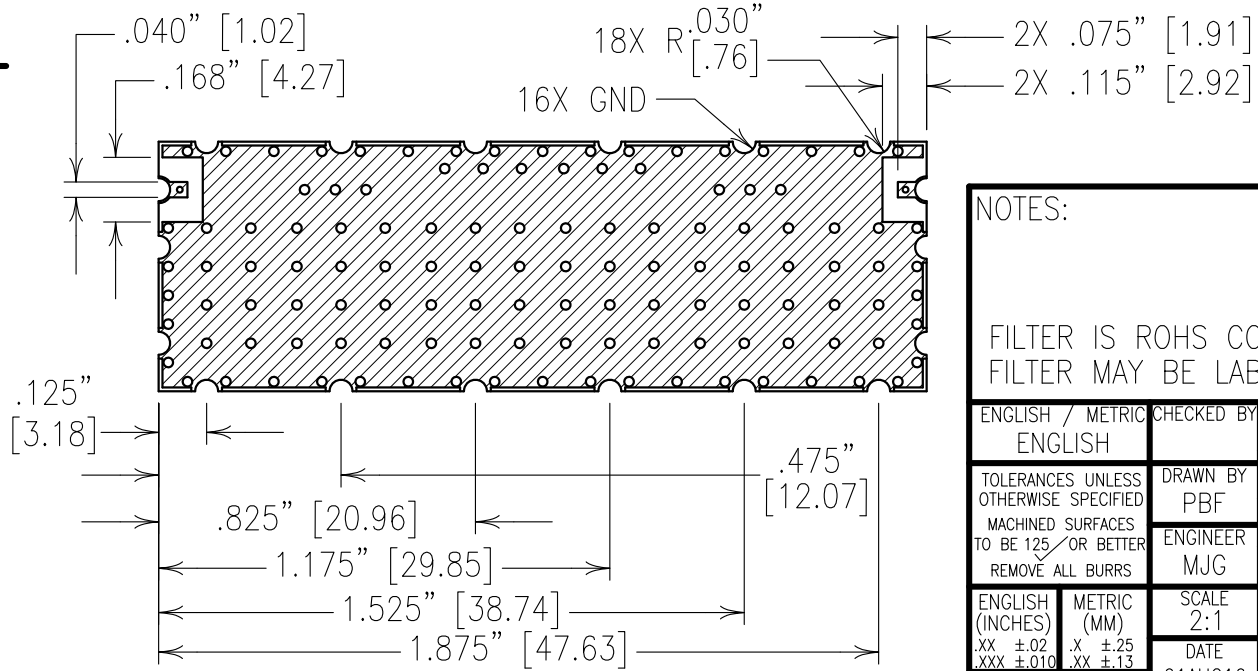
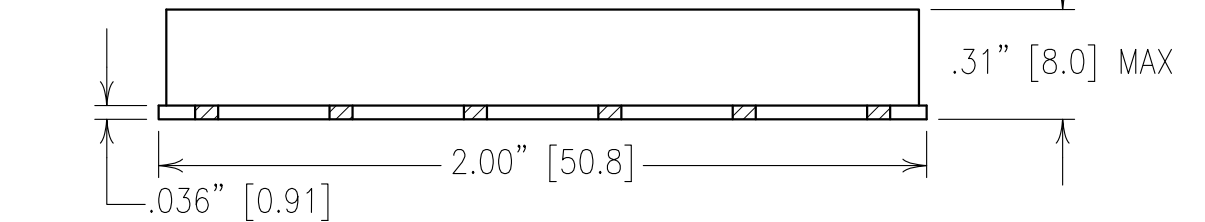
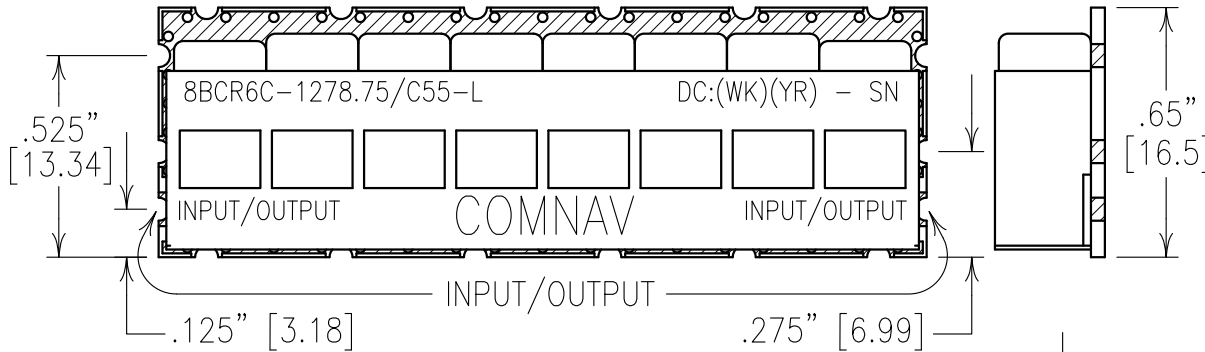


2

1



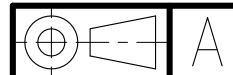
ELECTRICAL CHARACTERISTICS

CENTER FREQUENCY:	1278.75 MHz NOM
3 dB BANDWIDTH:	55 MHz NOM
LOSS @ F0:	2.2 dB MAX
PASSBAND:	1253.75-1303.75 MHz
PASSBAND RIPPLE:	<1.75 dB P-P
1258.75-1298.75 MHz:	1.0 dB MAX RIPPLE P-P
PASSBAND VSWR I/O:	15 dB MIN
GROUP DELAY:	12.5 nSEC MAX @ 1258.75-1298.75 MHz
GROUP DELAY STABILITY:	0.5 nSEC MAX OVER 20-24 °C
REJECTION:	
	10 dBc MIN @ 1248 & 1312 MHz
	50 dBc MIN @ 1231 & 1327 MHz
	16 dBc MIN @ 1246 MHz

COPY

NOTES:

FILTER IS ROHS COMPLIANT.
 FILTER MAY BE LABELED OR ETCHED.



ENGLISH / METRIC ENGLISH	CHECKED BY					
TOLERANCES UNLESS OTHERWISE SPECIFIED MACHINED SURFACES TO BE 125 OR BETTER REMOVE ALL BURRS	DRAWN BY PBF	A	01AUG16	MJG	DEV.	GEN. REV. PER 4034
	ENGINEER MJG	II	21APR16	MJG	DEV.	INI. ISS. PER 4015
	REV	DATE	BY	DCN No.	REMARKS	
ENGLISH (INCHES) .XX ±.02 XXX ±.010	METRIC (MM) .X ±.25 .XX ±.13	SCALE 2:1	APPLIC: COAXIAL FILTER			
ANGLES ± 0° 30'	DATE 01AUG16	TITLE: 8BCR6C-1278.75/C55-L				

Confidential and Proprietary information of ComNav Engineering Inc. Do Not Duplicate or Use Without Permission. ComNav Engineering Inc. claims Copyright in this document as of the Creation, last revision, and last updated dates. All Rights Reserved.



FINISH: BOARD: NI/AU PLATED COPPER
 JACKET: NI/SILVER
 RESONATOR: SILVER

DRAWING No.

OL1571

SHEET OF
1 1