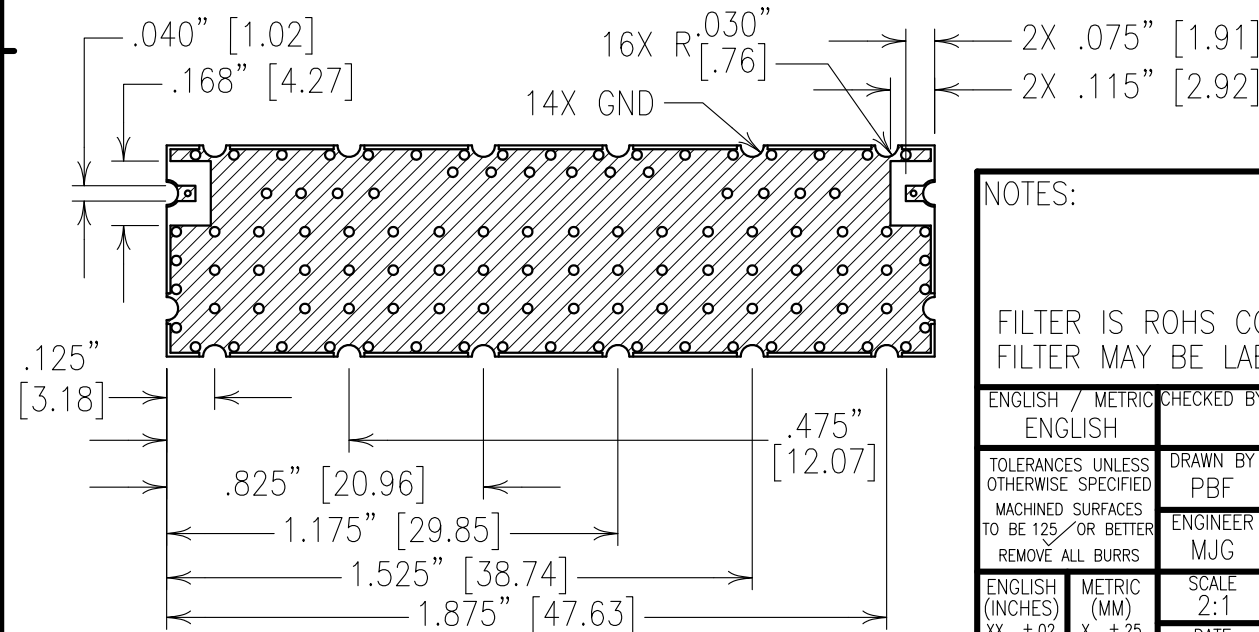


ELECTRICAL CHARACTERISTICS	
CENTER FREQUENCY:	1575.42 MHz NOM
3 dB BANDWIDTH:	56 MHz NOM
LOSS @ F0:	3.0 dB MAX
PASSBAND:	1550.42-1600.42 MHz
PASSBAND RIPPLE:	<2.0 dB P-P
1555.45-1595.42 MHz:	1.5 dB MAX RIPPLE P-P
PASSBAND VSWR I/O:	15 dB MIN
GROUP DELAY:	13.5 nSEC MAX @ 1555.42-1595.42 MHz
GROUP DELAY STABILITY:	0.5 nSEC MAX OVER 20-24 °C
REJECTION:	
	15 dBc MIN @ 1542 & 1608 MHz
	50 dBc MIN @ 1530 & 1620 MHz
	60 dBc MIN @ 1626 MHz

COPY



NOTES:
 FILTER IS ROHS COMPLIANT.
 FILTER MAY BE LABELED OR ETCHED.

ENGLISH / METRIC ENGLISH	CHECKED BY					
TOLERANCES UNLESS OTHERWISE SPECIFIED	DRAWN BY	A	01AUG16	MJG	DEV.	GEN. REV. PER 4034
MACHINED SURFACES TO BE 125 OR BETTER	ENGINEER	II	21APR16	MJG	DEV.	INI. ISS. PER 4015
REMOVE ALL BURRS	MJG	REV	DATE	BY	DCN No.	REMARKS
ENGLISH (INCHES) .XX ±.02 XXX ±.010	METRIC (MM) .X ±.25 XX ±.13	SCALE 2:1	APPLIC: COAXIAL FILTER			
ANGLES ± 0° 30'	DATE 01AUG16	TITLE: 8BCR6C-1575.42/C56-L				

Confidential and Proprietary information of ComNav Engineering Inc. Do Not Duplicate or Use Without Permission. ComNav Engineering Inc. claims Copyright in this document as of the Creation, last revision, and last updated dates. All Rights Reserved.



FINISH: BOARD: NI/AU PLATED COPPER
 JACKET: NI/SILVER
 RESONATOR: SILVER

DRAWING No. OL1570
 SHEET OF 1 1