

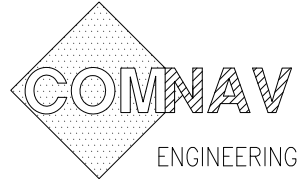
2

1

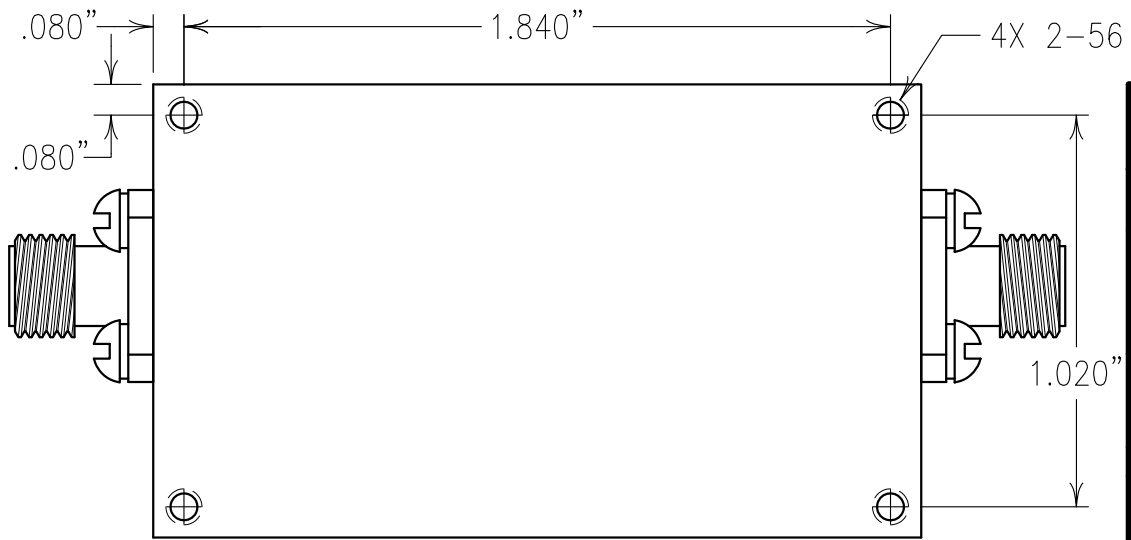
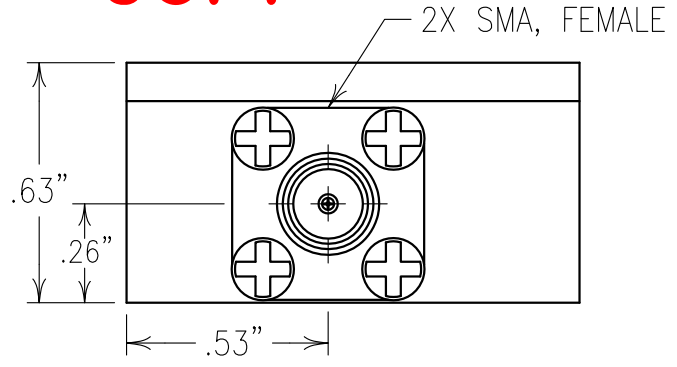
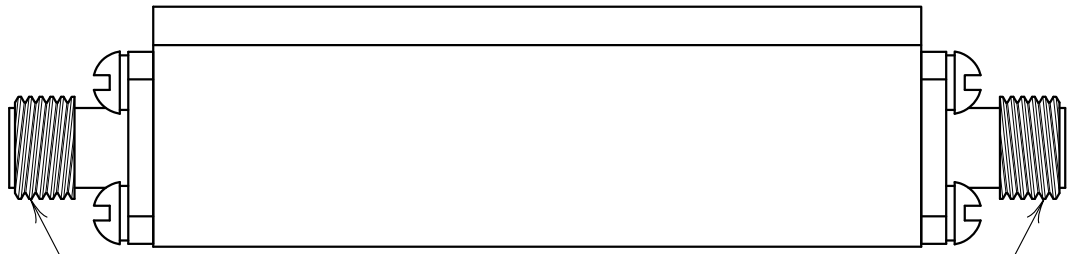
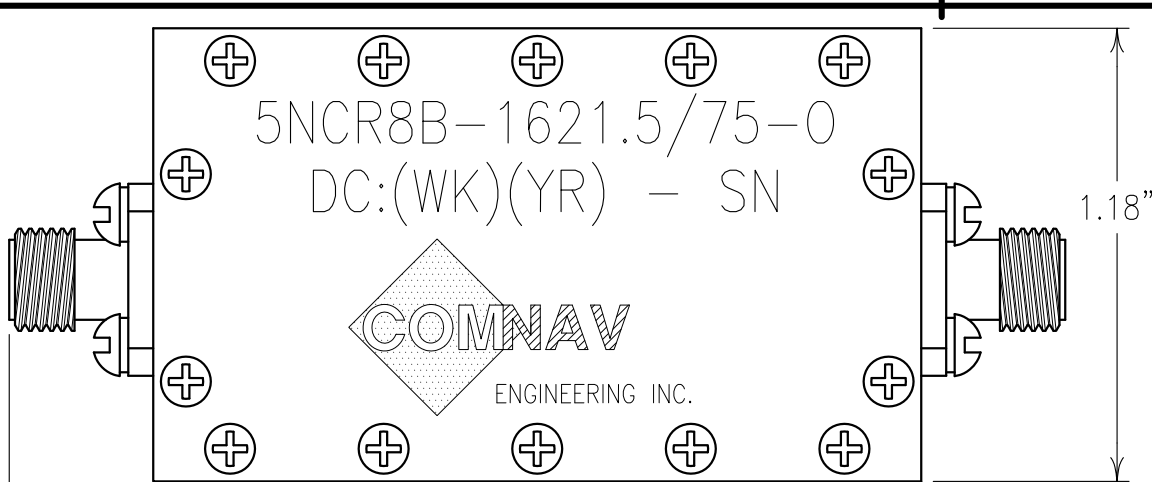
ELECTRICAL CHARACTERISTICS

CENTER FREQUENCY: 1621.5 MHz NOM
 LOWER PASSBAND: 220-1516 MHz
 UPPER PASSBAND: 1727-2500 MHz
 P.B. INSERTION LOSS: 1.0 dB MAX
 PASSBAND VSWR: 1.5:1 MAX
 REJECTION:
 64 dB MIN @ 1616-1626.5 MHz
 INPUT POWER: 50 W (47 dBm)
 OPERATING TEMP.: -18 TO +71°C

5NCR8B-1621.5/75-0
 DC:(WK)(YR) - SN



COPY



Confidential and Proprietary information of ComNav Engineering Inc. Do Not Duplicate or Use Without Permission. ComNav Engineering Inc. claims Copyright in this document as of the Creation, last revision, and last updated dates. All Rights Reserved.

ENGLISH / METRIC ENGLISH	CHECKED BY				
TOLERANCES UNLESS OTHERWISE SPECIFIED	DRAWN BY				
MACHINED SURFACES TO BE 125 / OR BETTER REMOVE ALL BURRS	PBF	II	16FEB16	MJG	DEV. INI. ISS. PER 3997
	ENGINEER	REV	DATE	BY	DCN No.
	MJG				REMARKS

ENGLISH (INCHES)	METRIC (MM)	SCALE	APPLIC:	
.XX ±.02	.X ±.2	2:1	CERAMIC FILTER	
.XXX ±.01	.XX ±.13	DATE	TITLE:	SHEET OF
ANGLES ± 0° 30'	19FEB16	5NCR8B-1621.5/75-0	1	1

MATERIAL: ALUMINUM DRAWING No. 0L1566
 FINISH: SILVER