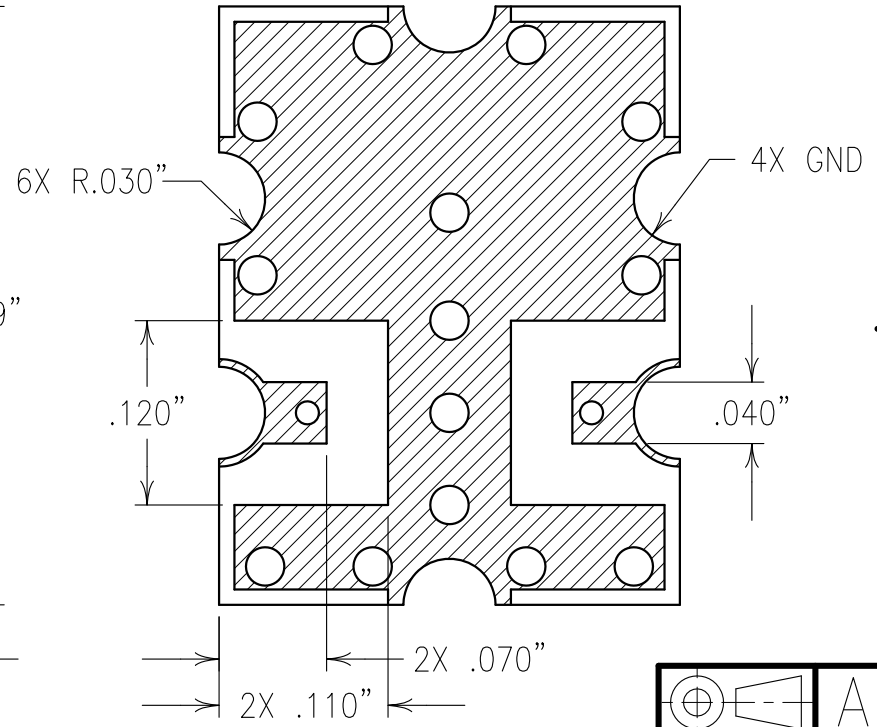
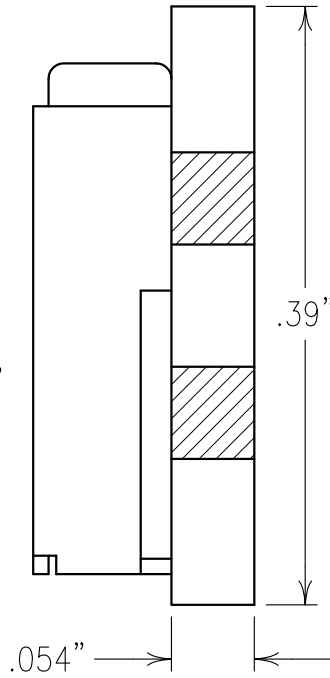
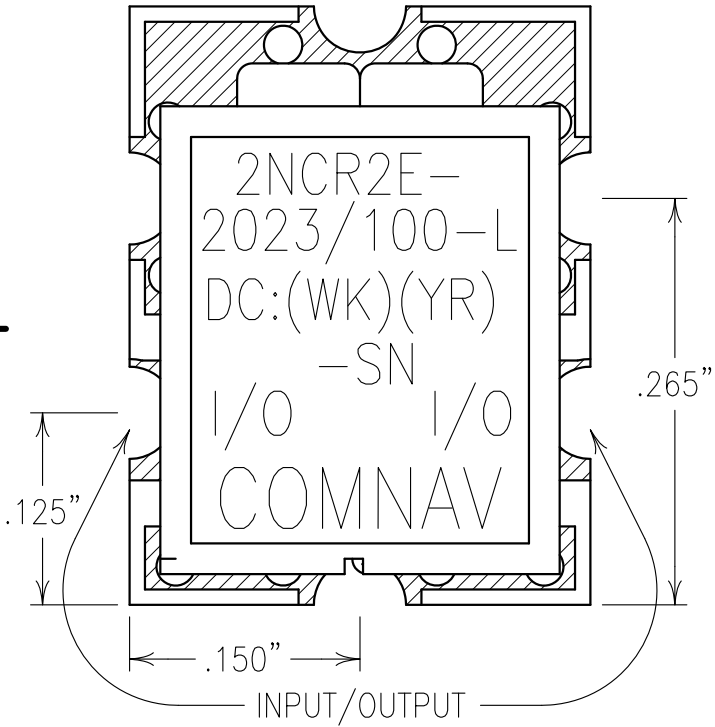


COPY

ELECTRICAL CHARACTERISTICS	
CENTER FREQUENCY:	2023 MHz NOM
PASSBAND:	1226.6–1606.5 MHz
P.B. INSERTION LOSS:	0.5 dB MAX
PASSBAND VSWR:	1.7:1 TYPICAL
REJECTION:	30 dBc @ 2015–2030 MHz
IMPEDANCE:	50 OHM IN/OUT
OPERATING TEMP.:	-40 TO +85°C



Confidential and Proprietary information of ComNav Engineering Inc. Do Not Duplicate or Use Without Permission. ComNav Engineering Inc. claims Copyright in this document as of the Creation, last revision, and last updated dates. All Rights Reserved.

NOTES:

FILTER MAY BE LABELED OR ETCHED.
FILTER IS ROHS COMPLIANT.



ENGLISH / METRIC ENGLISH	CHECKED BY				
TOLERANCES UNLESS OTHERWISE SPECIFIED TO BE 125/100 OR BETTER REMOVE ALL BURRS	DRAWN BY PBF	II	20JAN16	KJR	DEV.
	ENGINEER KJR	REV	DATE	BY	DCN No.
	SCALE 8:1	APPLIC: CERAMIC COAXIAL FILTER			
ENGLISH (INCHES) .XX ±.02 .XXX ±.010	METRIC (MM) .X ±.25 .XX ±.13	TITLE: 2NCR2E-2023/100-L			SHEET OF 1 1
ANGLES ± 0° 30'	DATE 21JAN16	FINISH: BOARD: NI/GOLD JACKET: NI/SILVER RESONATOR: SILVER		DRAWING No. 0L1563	