

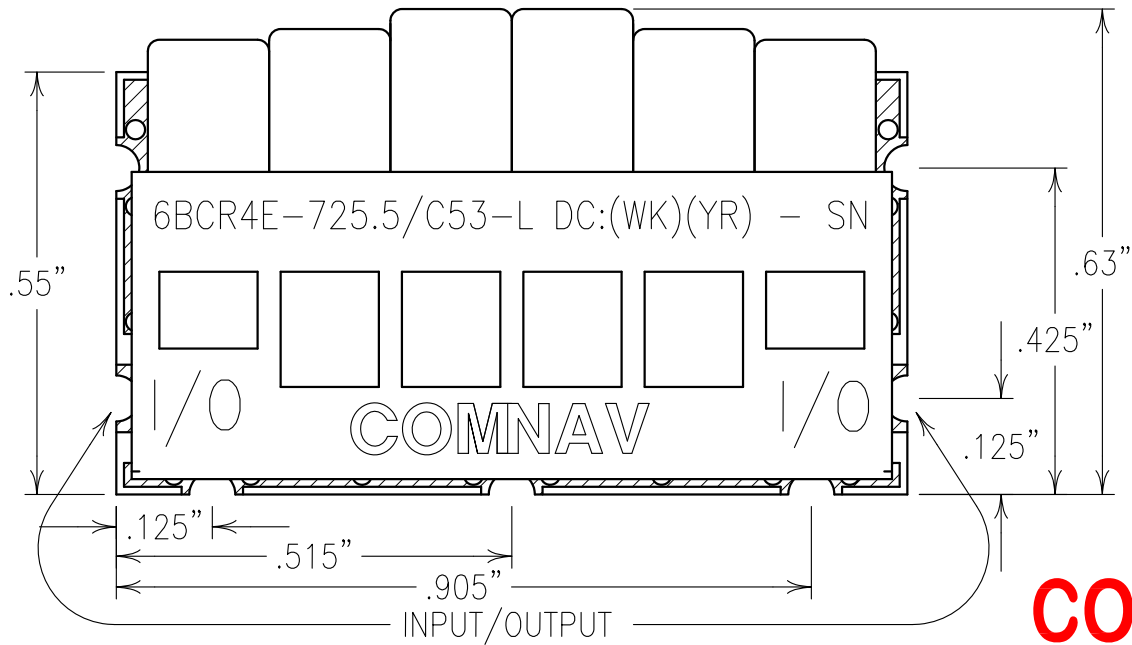
2

1

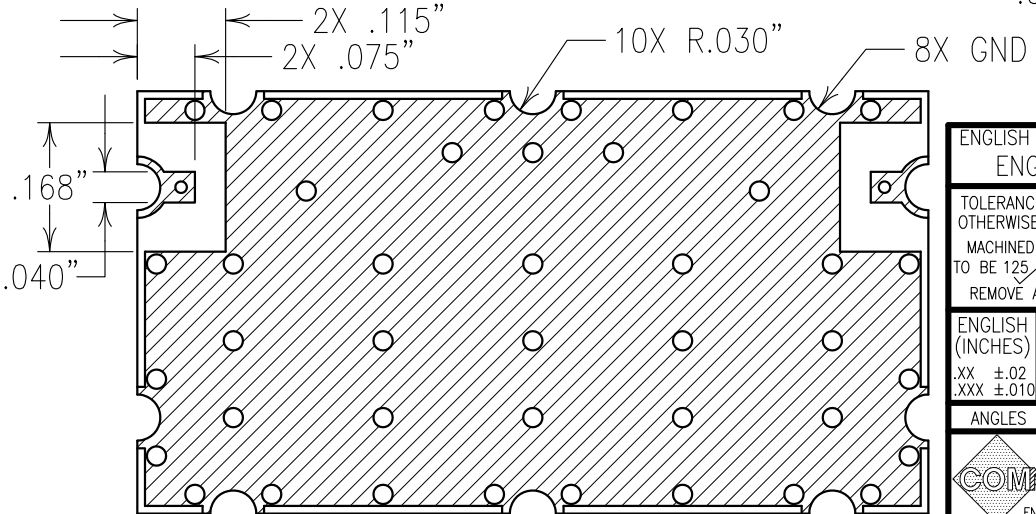
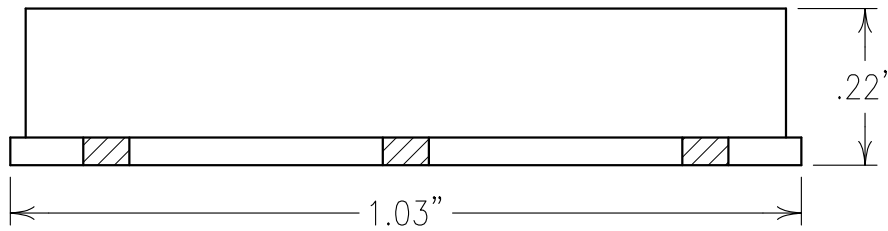
ELECTRICAL CHARACTERISTICS

CENTER FREQUENCY: 725.5 MHz
 PASSBAND: 703-748 MHz
 PASSBAND FLATNESS: 1.0 dB MAX
 INSERTION LOSS: 1.6 dB MAX @ F0
 VSWR: 1.5:1 TYPICAL
 REJECTION:
 17 dBc MIN @ 758-803 MHz
 ULTIMATE REJECTION:
 30 dBc MIN OUT TO 1.8 GHz
 POWER HANDLING: 4 WATTS MAX

NOTES:
 RECOMMENDED FOOTPRINT: FP0123.
 FILTER MAY BE LABELED OR ETCHED.
 FILTER IS ROHS COMPLIANT.



COPY



Confidential and Proprietary information of ComNav Engineering Inc. Do Not Duplicate or Use Without Permission. ComNav Engineering Inc. claims Copyright in this document as of the Creation, last revision, and last updated dates. All Rights Reserved.

ENGLISH / METRIC ENGLISH	CHECKED BY				
TOLERANCES UNLESS OTHERWISE SPECIFIED	DRAWN BY				
MACHINED SURFACES TO BE 125 OR BETTER	ENGINEER	II	20NOV15	KJR	DEV.
REMOVE ALL BURRS	KJR	REV	DATE	BY	DCN No.
ENGLISH (INCHES)	METRIC (MM)	SCALE	APPLIC: CERAMIC COAXIAL FILTER		
.XX ±.02	.X ±.25	4:1	TITLE: 6BCR4E-725.5/C53-L		
.XXX ±.010	.XX ±.13	DATE	25NOV15		
ANGLES ± 0° 30'					
	FINISH: BOARD: NI/GOLD		DRAWING No.		SHEET OF 1 1
	JACKET: NI/SILVER		0L1561		
		RESONATOR: SILVER			

B

A