

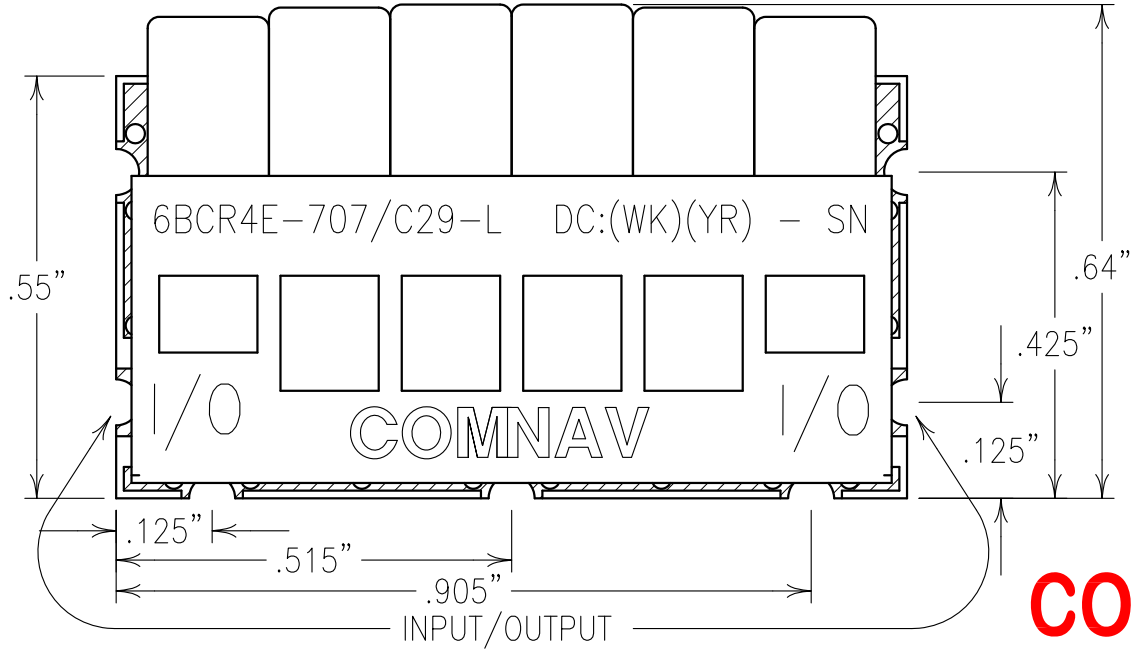
2

1

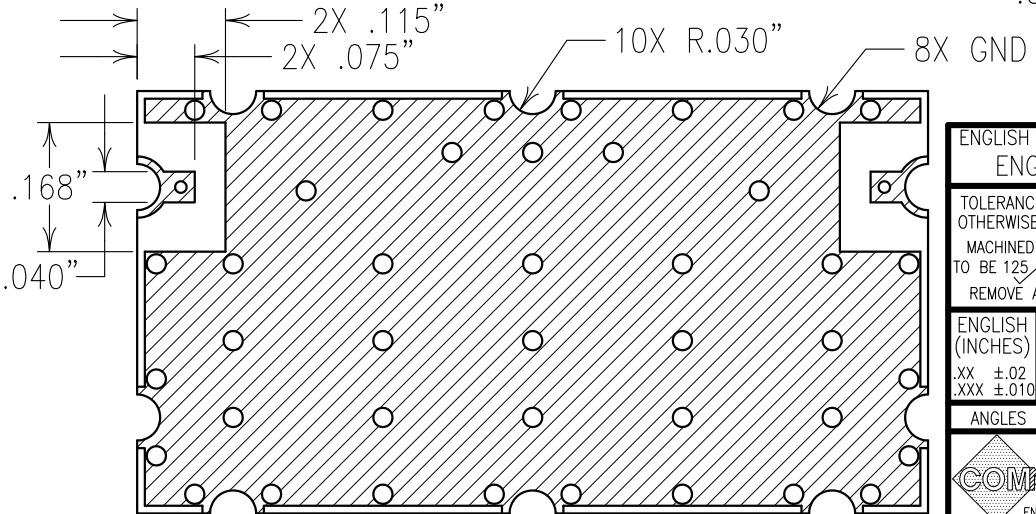
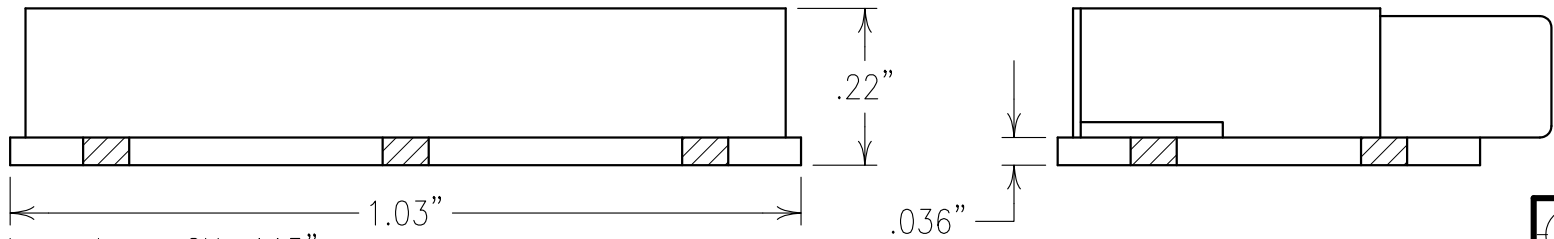
ELECTRICAL CHARACTERISTICS

CENTER FREQUENCY: 707 MHz
 PASSBAND: 698-716 MHz
 PASSBAND FLATNESS: 0.65 dB MAX
 INSERTION LOSS: 2.8 dB MAX @ FO
 VSWR: 1.5:1 TYPICAL
 REJECTION:
 35 dBc MIN @ 728-746 MHz
 ULTIMATE REJECTION:
 50 dBc MIN OUT TO 1.8 GHz
 POWER HANDLING: 4 WATTS MAX

NOTES:
 RECOMMENDED FOOTPRINT: FP0123.
 FILTER MAY BE LABELED OR ETCHED.
 FILTER IS ROHS COMPLIANT.



COPY



Confidential and Proprietary information of ComNav Engineering Inc. Do Not Duplicate or Use Without Permission. ComNav Engineering Inc. claims Copyright in this document as of the Creation, last revision, and last updated dates. All Rights Reserved.

ENGLISH / METRIC ENGLISH	CHECKED BY					
TOLERANCES UNLESS OTHERWISE SPECIFIED	DRAWN BY					
MACHINED SURFACES TO BE 125 OR BETTER	ENGINEER	II	20NOV15	KJR	DEV. INI. ISS. PER 3976	
REMOVE ALL BURRS	KJR	REV	DATE	BY	DCN No. REMARKS	
ENGLISH (INCHES)	METRIC (MM)	SCALE	APPLIC: CERAMIC COAXIAL FILTER			
.XX ±.02	.X ±.25	4:1	TITLE: 6BCR4E-707/C29-L			
.XXX ±.010	.XX ±.13	DATE	25NOV15			
ANGLES ± 0° 30'			DRAWING No. OL1560			
FINISH: BOARD: NI/GOLD JACKET: NI/SILVER RESONATOR: SILVER		SHEET OF 1 1				

