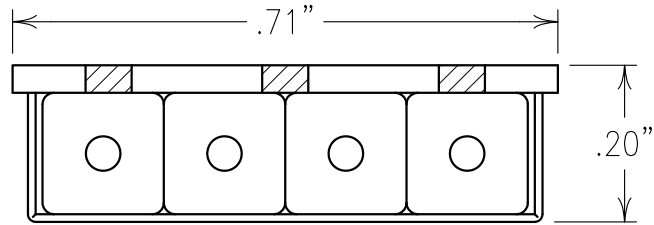


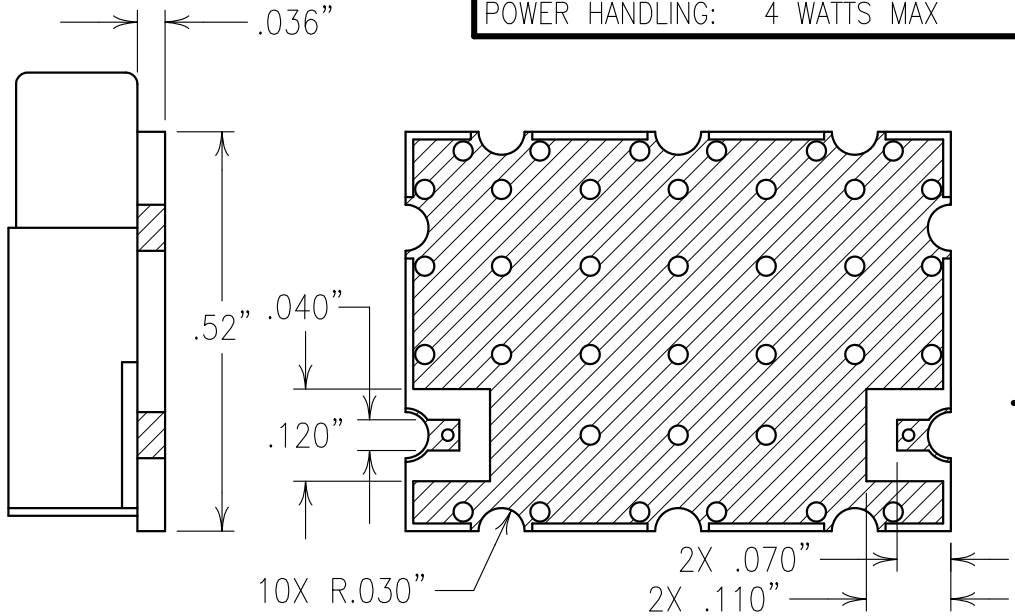
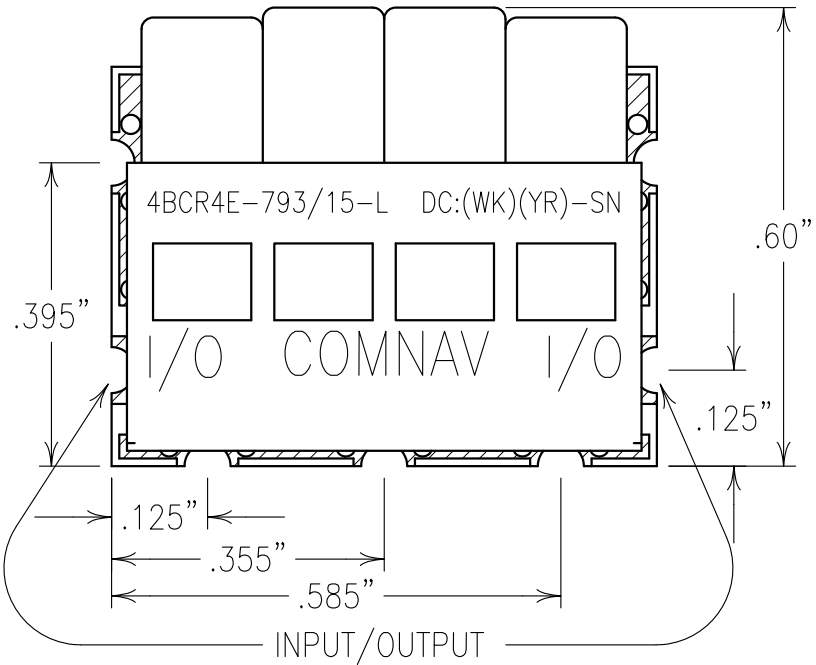
2

1



COPY

ELECTRICAL CHARACTERISTICS	
CENTER FREQUENCY:	793 MHz
PASSBAND:	788-798 MHz
PASSBAND FLATNESS:	0.5 dB MAX
INSERTION LOSS:	3.5 dB MAX @ F0
VSWR:	1.5:1 TYPICAL
REJECTION:	35 dBc MIN @ 758-768 MHz
ULTIMATE REJECTION:	50 dBc MIN OUT TO 1.9 GHz
POWER HANDLING:	4 WATTS MAX



Confidential and Proprietary information of ComNav Engineering Inc. Do Not Duplicate or Use Without Permission. ComNav Engineering Inc. claims Copyright in this document as of the Creation, last revision, and last updated dates. All Rights Reserved.

ENGLISH / METRIC ENGLISH	CHECKED BY				
TOLERANCES UNLESS OTHERWISE SPECIFIED MACHINED SURFACES TO BE 125 OR BETTER REMOVE ALL BURRS	DRAWN BY PBF				
	ENGINEER KJR	II	20NOV15	KJR	DEV. INI. ISS. PER 3976
		REV	DATE	BY	DCN No. REMARKS

NOTES:	ENGLISH (INCHES)	METRIC (MM)	SCALE 4:1	APPLIC: CERAMIC COAXIAL FILTER
	.XX ±.02 .XXX ±.010	.X ±.25 .XX ±.13	DATE 25NOV15	TITLE: 4BCR4E-793/15-L
	ANGLES ± 0° 30'		FINISH: BOARD: NI/GOLD JACKET: NI/SILVER RESONATOR: SILVER	DRAWING No. 0L1559

FILTER MAY BE LABELED OR ETCHED.
FILTER IS ROHS COMPLIANT.



SHEET OF 1 1