

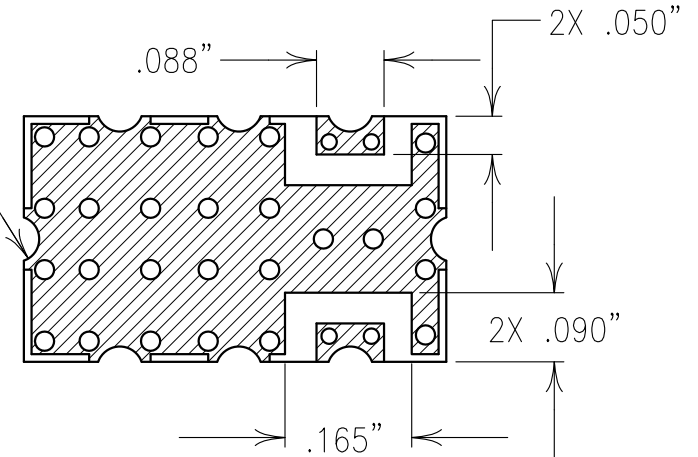
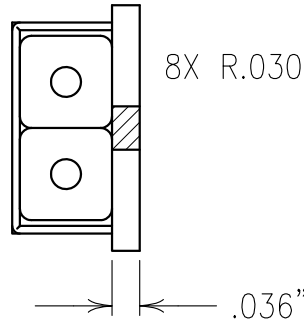
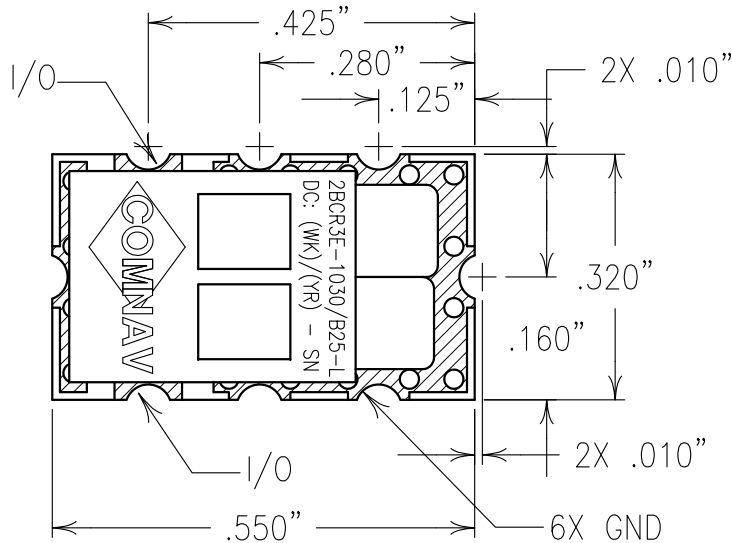
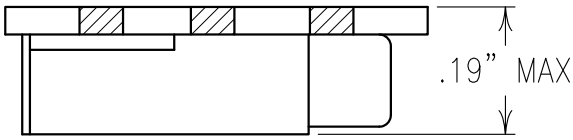
2

1

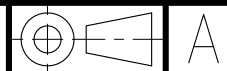
ELECTRICAL CHARACTERISTICS

CENTER FREQUENCY: 1030 MHz NOM
 3 dB BANDWIDTH: 25 MHz MIN
 INSERTION LOSS: 2.0 dB MAX @ F0
 REJECTION:
 18 dBc MIN @ 960 AND 1090 MHz
 OPERATING TEMP.: -40 TO +85°C
 VSWR: TYPICAL BESSEL RESPONSE
 GROUP DELAY VAR.: 0.5 nSEC MAX @ F0±6.0 MHz
 TRANSFER FUNCTION: BESSEL

COPY



Confidential and Proprietary information of ComNav Engineering Inc. Do Not Duplicate or Use Without Permission. ComNav Engineering Inc. claims Copyright in this document as of the Creation, last revision, and last updated dates. All Rights Reserved.



NOTES:
 FOR RECOMMENDED FOOTPRINT SEE FP0015.
 FILTER IS ROHS COMPLIANT.
 FILTER MAY BE ETCHED OR LABELED.

ENGLISH / METRIC ENGLISH		CHECKED BY							
TOLERANCES UNLESS OTHERWISE SPECIFIED		DRAWN BY		PBF					
MACHINED SURFACES TO BE 125/0R BETTER REMOVE ALL BURRS		ENGINEER		KJR		REV		DATE	
ENGLISH (INCHES)		METRIC (MM)		SCALE		APPLIC:		CERAMIC COAXIAL FILTER	
.XX ±.02 .XXX ±.010		.X ±.50 .XX ±.25		4:1		DATE		TITLE:	
ANGLES ± 0° 30'		19NOV15						2BCR3E-1030/B25-L	
FINISH:		BOARD: NICKEL/GOLD JACKET: NICKEL/SILVER RESONATOR: SILVER				DRAWING No.		SHEET OF	
						0L1558		1 1	