

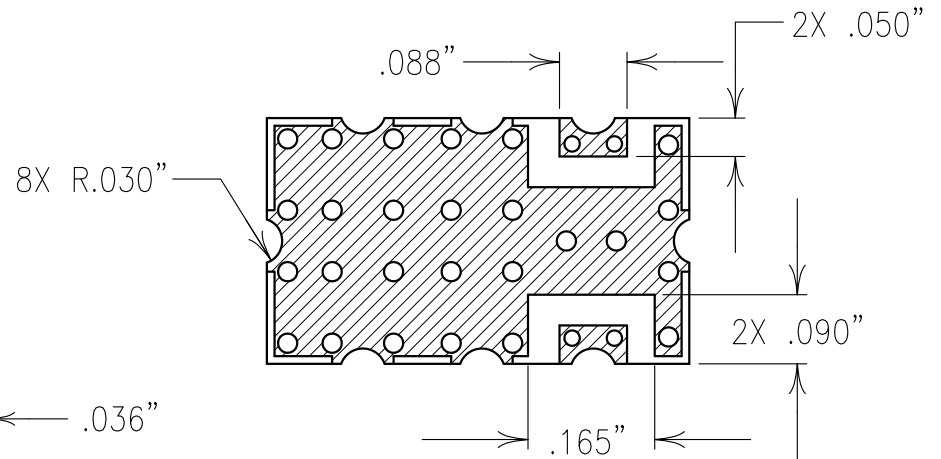
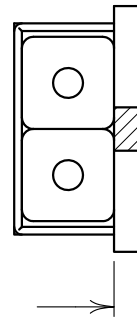
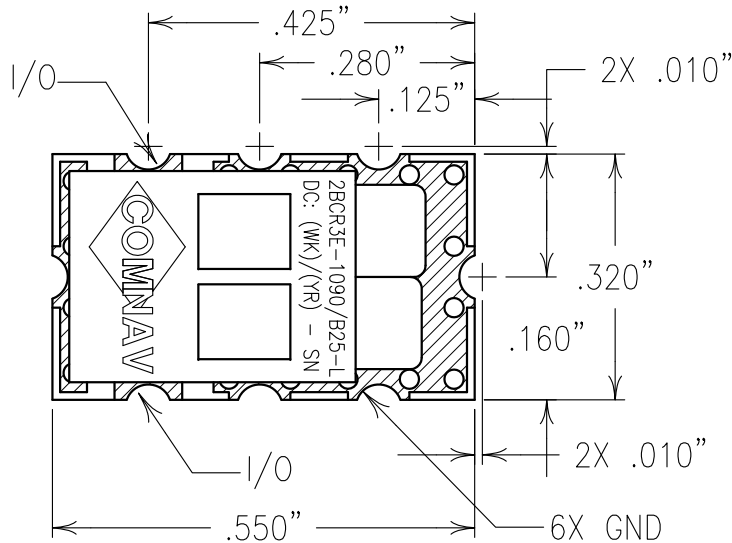
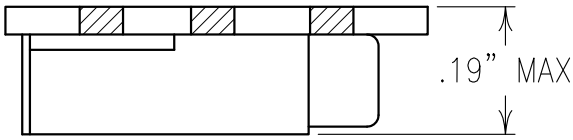
2

1

### ELECTRICAL CHARACTERISTICS

CENTER FREQUENCY: 1090 MHz NOM  
 3 dB BANDWIDTH: 25 MHz MIN  
 INSERTION LOSS: 2.0 dB MAX @ F0  
 REJECTION:  
 18 dBc MIN @ 1030 AND 1150 MHz  
 OPERATING TEMP.: -40 TO +85°C  
 VSWR: TYPICAL BESSEL RESPONSE  
 GROUP DELAY VAR.: 0.5 nSEC MAX @ F0±6.0 MHz  
 TRANSFER FUNCTION: BESSEL

**COPY**



Confidential and Proprietary information of ComNav Engineering Inc. Do Not Duplicate or Use Without Permission. ComNav Engineering Inc. claims Copyright in this document as of the Creation, last revision, and last updated dates. All Rights Reserved.

NOTES:  
 FOR RECOMMENDED FOOTPRINT SEE FP0015.  
 FILTER IS ROHS COMPLIANT.  
 FILTER MAY BE ETCHED OR LABELED.

ENGLISH / METRIC ENGLISH		CHECKED BY								A	
TOLERANCES UNLESS OTHERWISE SPECIFIED		DRAWN BY		PBF							
MACHINED SURFACES TO BE 125 / OR BETTER		ENGINEER		KJR		REV		DATE		BY	
REMOVE ALL BURRS		KJR		18NOV15		KJR		DEV.		INI. ISS. PER 3973	
ENGLISH (INCHES)		METRIC (MM)		SCALE		APPLIC:		CERAMIC COAXIAL FILTER			
.XX ±.02		.X ±.50		4:1		DATE		TITLE:		2BCR3E-1090/B25-L	
.XXX ±.010		.XX ±.25		19NOV15		FINISH:		BOARD: NICKEL/GOLD		DRAWING No.	
ANGLES ± 0° 30'		COMNAV ENGINEERING INC.		JACKET: NICKEL/SILVER		RESONATOR: SILVER		0L1557		SHEET OF 1 1	