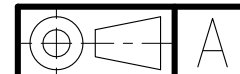
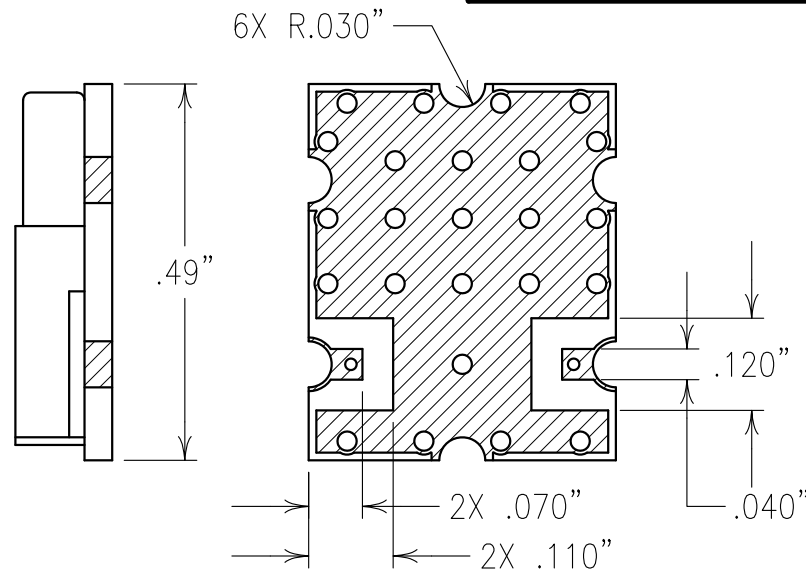
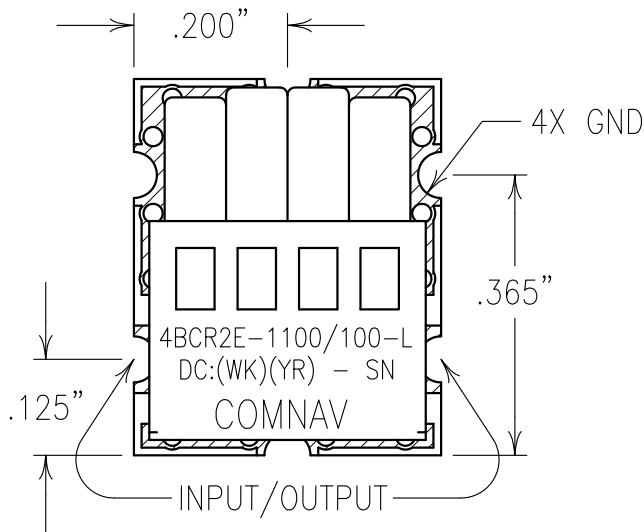
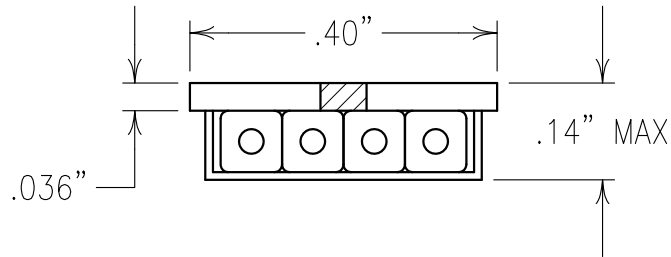


### ELECTRICAL CHARACTERISTICS

CENTER FREQUENCY: 1100 MHz  
 3 dB BANDWIDTH: 90 MHz MIN  
 INSERTION LOSS: 1.75 dB MAX @ FO  
 VSWR: 1.5:1 TYPICAL  
 REJECTION:  
 40 dBc MIN @ 950 MHz  
 35 dBc MIN @ 1250 MHz  
 60 dBc MIN @ 800 MHz  
 57 dBc MIN @ 1400 MHz

# COPY



NOTES:  
 FILTER MAY BE LABELED OR ETCHED.  
 FILTER IS ROHS COMPLIANT.

ENGLISH / METRIC ENGLISH		CHECKED BY					
TOLERANCES UNLESS OTHERWISE SPECIFIED MACHINED SURFACES TO BE 125 OR BETTER REMOVE ALL BURRS		DRAWN BY PBF					
		ENGINEER KJR		II	16NOV15	KJR	DEV.
				REV	DATE	BY	DCN No.
				REMARKS INI. ISS. PER 3969			
ENGLISH (INCHES)	METRIC (MM)	SCALE 4:1	APPLIC: CERAMIC COAXIAL FILTER				
.XX ±.02 .XXX ±.010	.X ±.25 .XX ±.13	DATE 16NOV15	TITLE: 4BCR2E-1100/100-L				
ANGLES ± 0° 30'							

Confidential and Proprietary information of ComNav Engineering Inc. Do Not Duplicate or Use Without Permission. ComNav Engineering Inc. claims Copyright in this document as of the Creation, last revision, and last updated dates. All Rights Reserved.



FINISH: BOARD: NI/GOLD  
 JACKET: NI/SILVER  
 RESONATOR: SILVER

DRAWING No.

OL1555

SHEET OF  
1 1