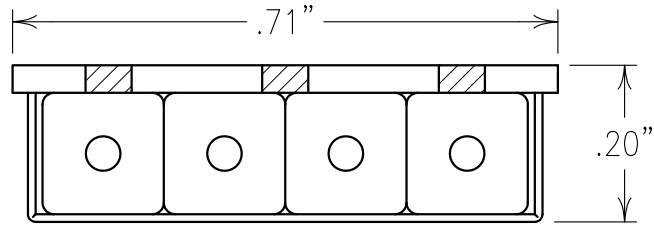


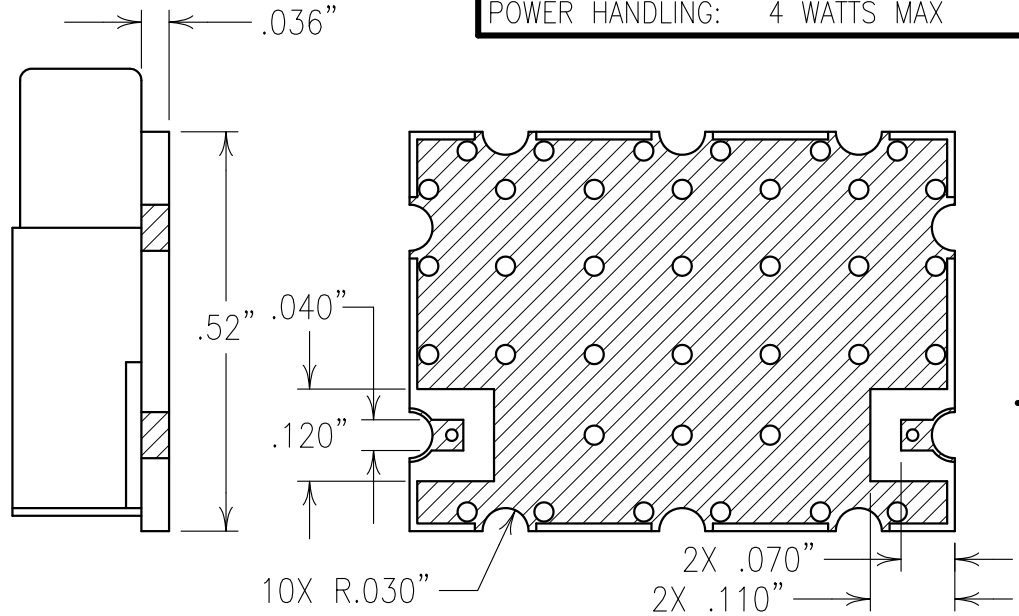
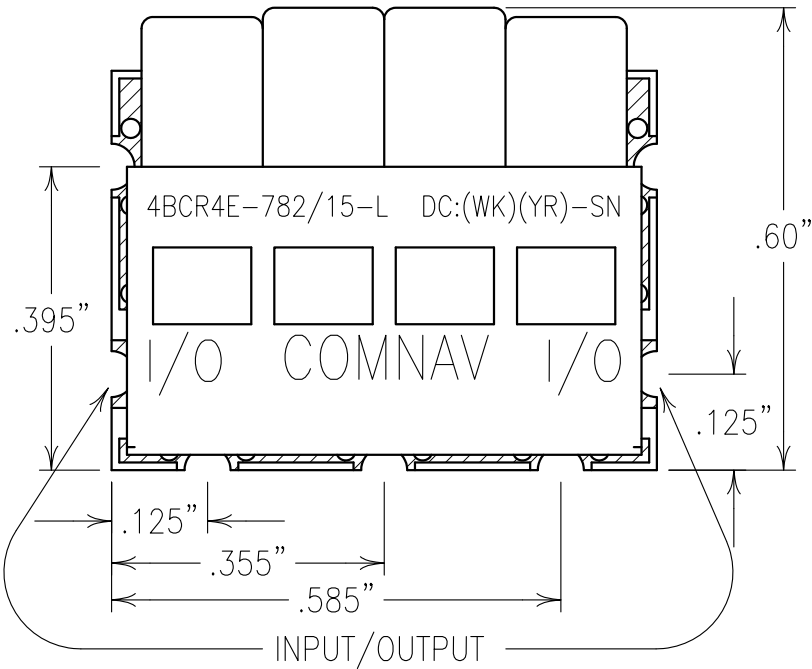
2

1

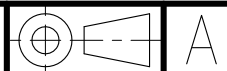


COPY

ELECTRICAL CHARACTERISTICS	
CENTER FREQUENCY:	782 MHz
PASSBAND:	777-787 MHz
PASSBAND FLATNESS:	0.5 dB MAX
INSERTION LOSS:	3.3 dB MAX @ F0
VSWR:	1.5:1 TYPICAL
REJECTION:	35 dBc MIN @ 746-756 MHz
ULTIMATE REJECTION:	50 dBc MIN OUT TO 1.9 GHz
POWER HANDLING:	4 WATTS MAX



Confidential and Proprietary information of ComNav Engineering Inc. Do Not Duplicate or Use Without Permission. ComNav Engineering Inc. claims Copyright in this document as of the Creation, last revision, and last updated dates. All Rights Reserved.



ENGLISH / METRIC ENGLISH	CHECKED BY					
TOLERANCES UNLESS OTHERWISE SPECIFIED MACHINED SURFACES TO BE 125 OR BETTER REMOVE ALL BURRS	DRAWN BY	A	25NOV15	KJR	DEV.	GEN. REV. PER 3977
	ENGINEER	II	28OCT15	KJR	DEV.	INI. ISS. PER 3965
	KJR	REV	DATE	BY	DCN No.	REMARKS

NOTES:

FILTER MAY BE LABELED OR ETCHED.
FILTER IS ROHS COMPLIANT.

ENGLISH (INCHES)	METRIC (MM)	SCALE 4:1	APPLIC: CERAMIC COAXIAL FILTER
.XX ±.02	.X ±.25	DATE 25NOV15	TITLE: 4BCR4E-782/15-L
.XXX ±.010	.XX ±.13		
ANGLES ± 0° 30'			
	FINISH: BOARD: NI/GOLD JACKET: NI/SILVER RESONATOR: SILVER	DRAWING No. OL1553	SHEET OF 1 1