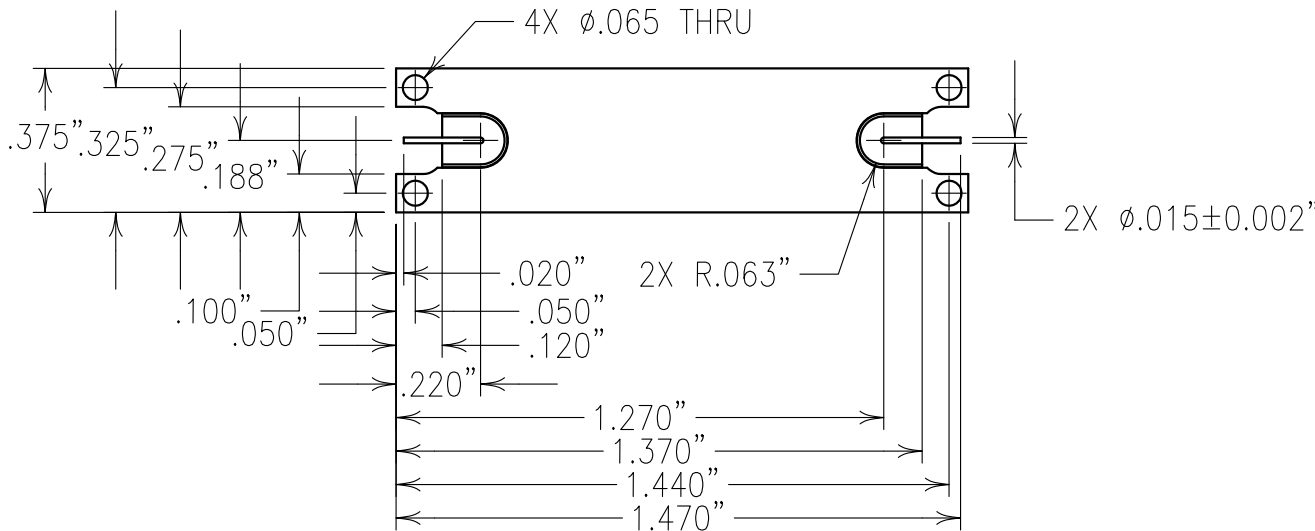
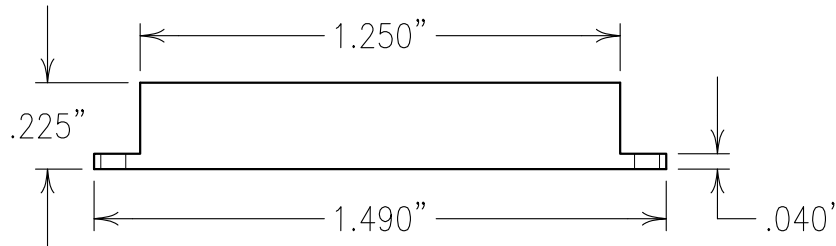


2

1



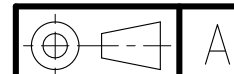
ELECTRICAL CHARACTERISTICS

CENTER FREQUENCY: 1925 MHz NOM
 PASSBAND: 1350 MHz MIN
 PASSBAND INSERTION LOSS: 3.0 dB MAX
 PASSBAND RETURN LOSS: 15 dB MAX

REJECTION:
 50 dBc MIN @ DC-750 MHz
 50 dBc MIN @ 3400-8500 MHz

RF INPUT POWER: CONTINUOUS: +20 dBm
 OPERATING TEMP.: -40 TO +85°C
 IN/OUT IMPEDANCE: 50 OHMS

COPY



NOTES:
 LEADS AND TABS ARE SOLDER DIPPED PRIOR TO SHIPMENT FOR SOLDERABILITY.

| | | | | | | |
|---------------------------------------|---|-------|------------------------------|-------------|---------|--------------------|
| ENGLISH / METRIC ENGLISH | CHECKED BY | | | | | |
| TOLERANCES UNLESS OTHERWISE SPECIFIED | DRAWN BY | A | 01MAR16 | KJR | DEV. | GEN. REV. PER 4002 |
| MACHINED SURFACES TO BE 125 OR BETTER | ENGINEER | II | 26OCT15 | KJR | DEV. | INI. ISS. PER 3964 |
| REMOVE ALL BURRS | KJR | REV | DATE | BY | DCN No. | REMARKS |
| ENGLISH (INCHES) | METRIC (MM) | SCALE | APPLIC: CHIP AND WIRE FILTER | | | |
| .XX ±.02 | .X ±.25 | 2:1 | TITLE: 9LPHP3-1925/Z1500-PX | | | |
| .XXX ±.010 | .XX ±.13 | DATE | | | | |
| ANGLES ± 0° 30' | 02MAR16 | | | | | |
| | MATERIAL: COVER: ALUMINUM BASE: ALUMINUM | | | DRAWING No. | | SHEET OF 1 1 |
| | FINISH: COVER: SILVER PLATE BASE: SILVER PLATE | | | 0L1552 | | |

Confidential and Proprietary information of ComNav Engineering Inc. Do Not Duplicate or Use Without Permission. ComNav Engineering Inc. claims Copyright in this document as of the Creation, last revision, and last updated dates. All Rights Reserved.