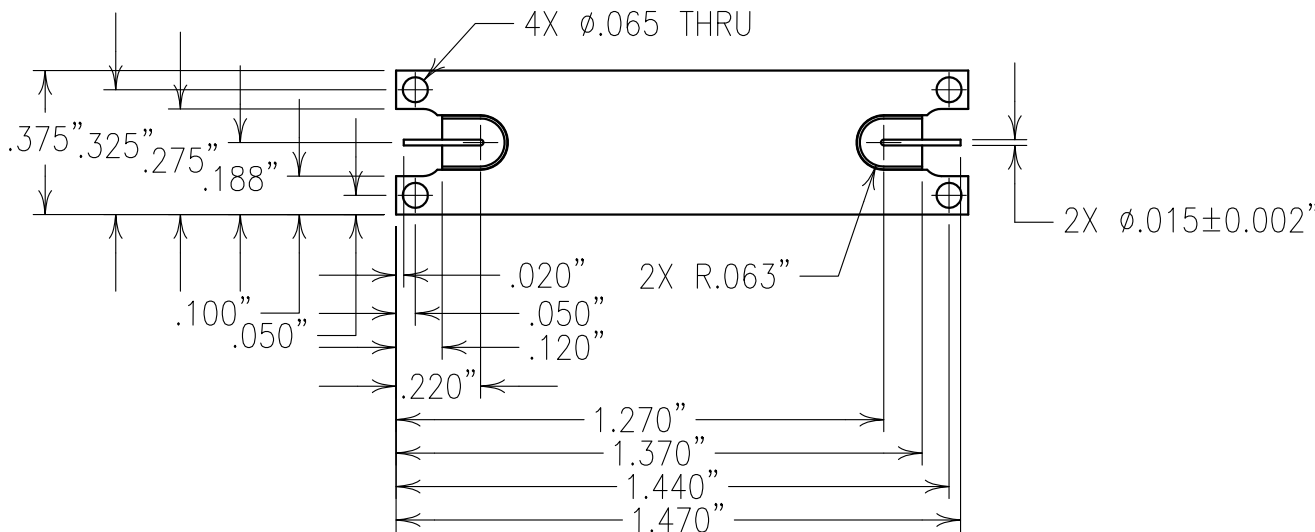
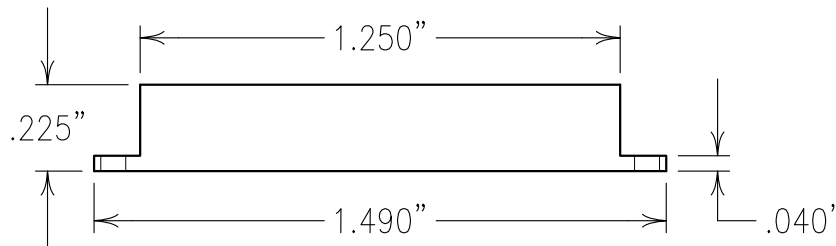


2

1



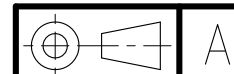
ELECTRICAL CHARACTERISTICS

CENTER FREQUENCY: 1625 MHz NOM
 PASSBAND: 1250 MHz MIN
 PASSBAND INSERTION LOSS: 3.0 dB MAX
 PASSBAND RETURN LOSS: 15 dB MAX

REJECTION:
 50 dBc MIN @ DC-600 MHz
 50 dBc MIN @ 2800-8500 MHz

RF INPUT POWER: CONTINUOUS: +20 dBm
 OPERATING TEMP.: -40 TO +85°C
 IN/OUT IMPEDANCE: 50 OHMS

COPY



NOTES:
 LEADS AND TABS ARE SOLDER DIPPED PRIOR TO SHIPMENT FOR SOLDERABILITY.

ENGLISH / METRIC ENGLISH	CHECKED BY				
TOLERANCES UNLESS OTHERWISE SPECIFIED	DRAWN BY	A	01MAR16	KJR	DEV.
MACHINED SURFACES TO BE 125 OR BETTER	ENGINEER	II	26OCT15	KJR	DEV.
REMOVE ALL BURRS	REVISIONS	REV	DATE	BY	DCN No.
ENGLISH (INCHES)	METRIC (MM)	SCALE	APPLIC: CHIP AND WIRE FILTER		
.XX ±.02	.X ±.25	2:1	TITLE: 9LPHP3-1625/Z1350-PX		
.XXX ±.010	.XX ±.13	DATE			
ANGLES ± 0° 30'	02MAR16				

Confidential and Proprietary information of ComNav Engineering Inc. Do Not Duplicate or Use Without Permission. ComNav Engineering Inc. claims Copyright in this document as of the Creation, last revision, and last updated dates. All Rights Reserved.

	MATERIAL: COVER: ALUMINUM BASE: ALUMINUM	DRAWING No.	SHEET OF
	FINISH: COVER: SILVER PLATE BASE: SILVER PLATE	0L1551	1 1