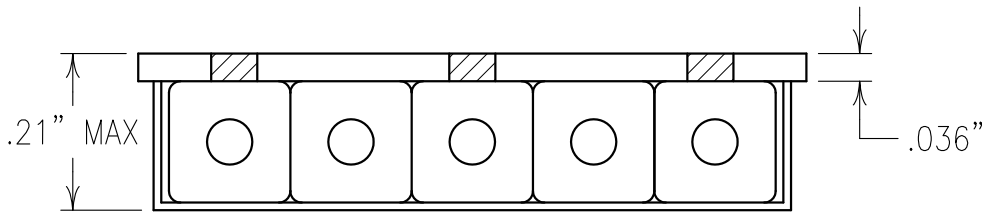


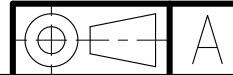
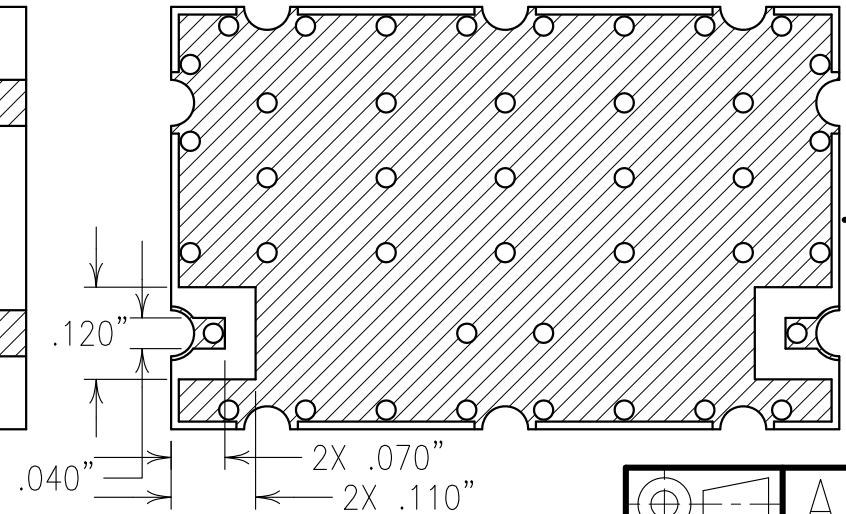
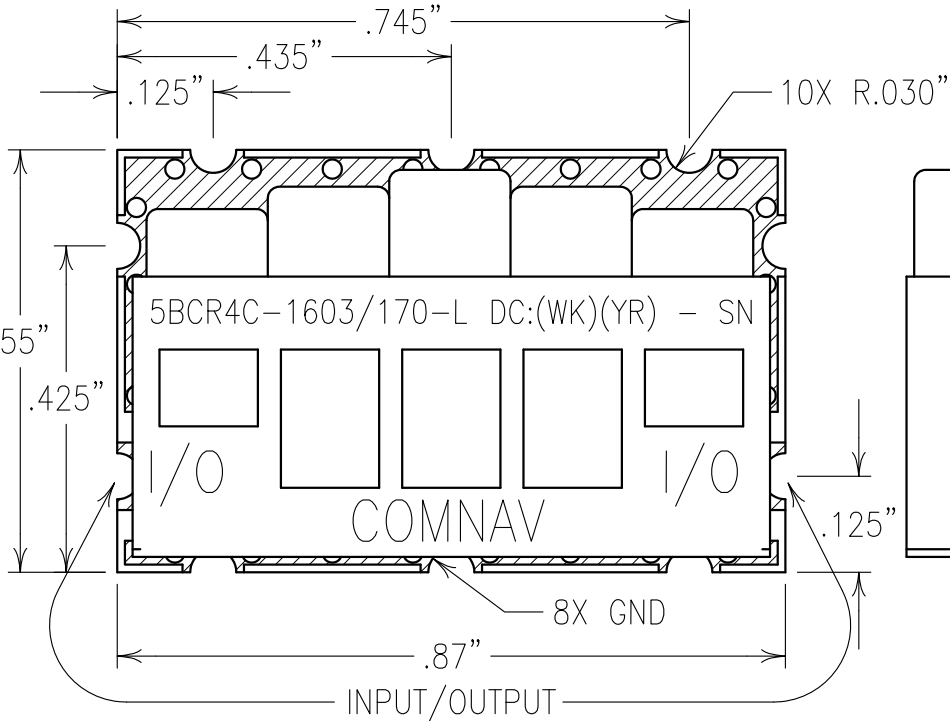
2

1



COPY

ELECTRICAL CHARACTERISTICS	
CENTER FREQUENCY:	1603 MHz NOM
PASSBAND:	1525-1680 MHz
P.B. INSERTION LOSS:	2.0 dB MAX
RETURN LOSS:	14 dB
REJECTION:	
	40 dBc MIN @ DC-1430 MHz
	40 dBc MIN @ 1800-4000 MHz
SOURCE AND LOAD:	50 OHMS



NOTES:

RECOMMENDED FOOTPRINT: FP0112
 FILTER IS ROHS COMPLIANT.
 FILTER MAY BE LABELED OR ETCHED.

Confidential and Proprietary information of ComNav Engineering Inc. Do Not Duplicate or Use Without Permission. ComNav Engineering Inc. claims Copyright in this document as of the Creation, last revision, and last updated dates. All Rights Reserved.

ENGLISH / METRIC ENGLISH	CHECKED BY				
TOLERANCES UNLESS OTHERWISE SPECIFIED MACHINED SURFACES TO BE 125 OR BETTER REMOVE ALL BURRS	DRAWN BY PBF	II	01OCT15	KJR	DEV. INI. ISS. PER 3956
ENGLISH (INCHES) .XX ±.02 .XXX ±.010	METRIC (MM) .X ±.25 .XX ±.13	ENGINEER KJR	REV	DATE	BY DCN No. REMARKS
ANGLES ± 0° 30'	SCALE 4:1	APPLIC:	CERAMIC COAXIAL FILTER		
	DATE 09OCT15	TITLE:	5BCR4C-1603/170-L		
	FINISH: BOARD: NI/GOLD JACKET: NI/SILVER RESONATOR: SILVER	DRAWING No.	SHEET OF 1 1		
			OL1539		