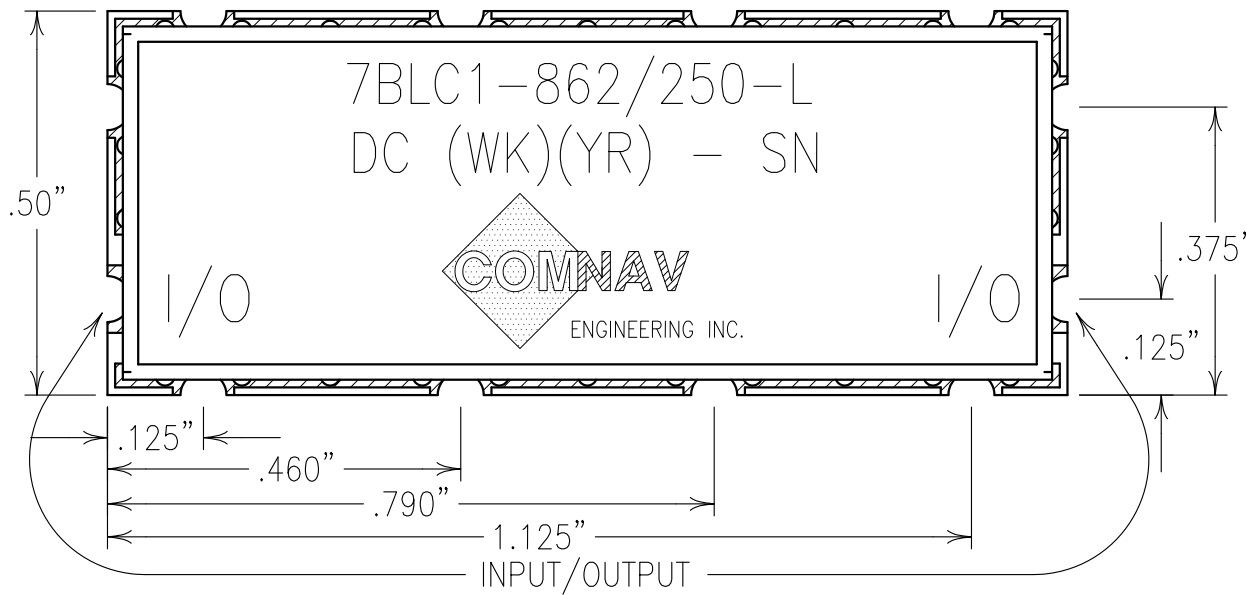


2

1



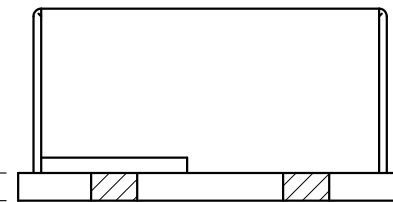
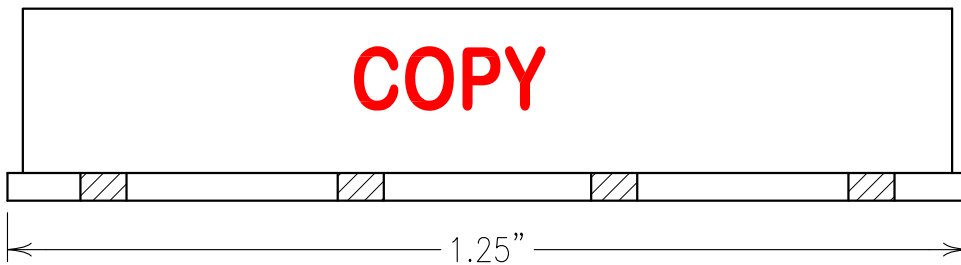
### ELECTRICAL CHARACTERISTICS

CENTER FREQUENCY: 862 MHz NOM  
 PASSBAND: 764-960 MHz  
 P.B. INSERTION LOSS: 2.0 dB MAX  
 RETURN LOSS: 14 dB  
 REJECTION:  
 40 dBc MIN @ DC-680 MHz  
 40 dBc MIN @ 1260-4000 MHz  
 SOURCE AND LOAD: 50 OHMS

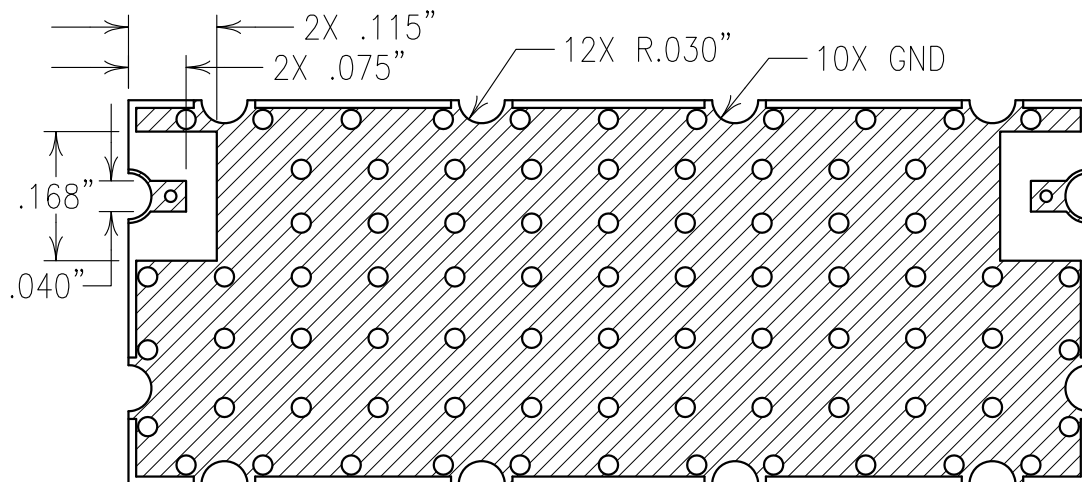
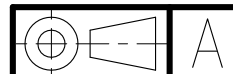
### NOTES:

FILTER IS ROHS COMPLIANT.

**COPY**



.036"



Confidential and Proprietary information of ComNav Engineering Inc. Do Not Duplicate or Use Without Permission. ComNav Engineering Inc. claims Copyright in this document as of the Creation, last revision, and last updated dates. All Rights Reserved.

ENGLISH / METRIC ENGLISH	CHECKED BY				
TOLERANCES UNLESS OTHERWISE SPECIFIED MACHINED SURFACES TO BE 125 OR BETTER REMOVE ALL BURRS	DRAWN BY PBF				
	ENGINEER KJR	II	01OCT15	KJR	DEV. INI. ISS. PER 3956
		REV	DATE	BY DCN No.	REMARKS

ENGLISH (INCHES) .XX ±.02 .XXX ±.010	METRIC (MM) .X ±.25 .XX ±.13	SCALE 4:1	APPLIC: CERAMIC COAXIAL FILTER
ANGLES ± 0° 30'	DATE 09OCT15	TITLE: 7BLC1-862/250-L	

COMNAV ENGINEERING INC.	FINISH: BOARD: NI/GOLD JACKET: NI/SILVER	DRAWING No. OL1537	SHEET OF 1 1
----------------------------	---	-----------------------	-----------------