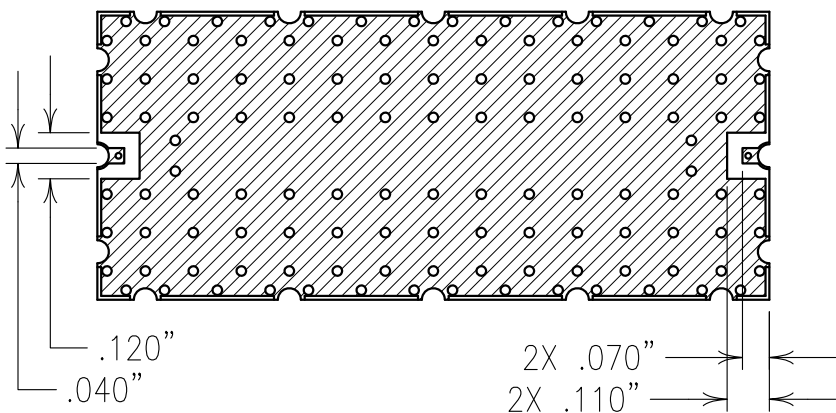
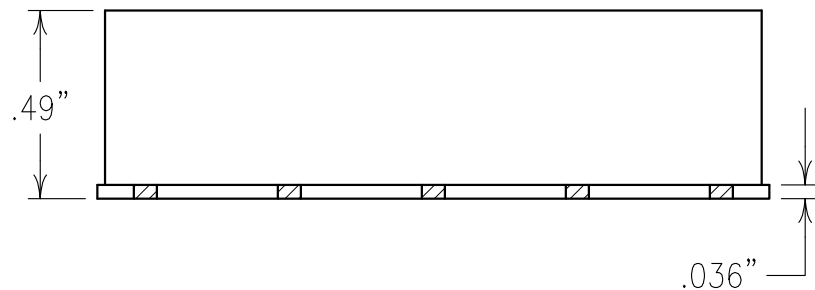
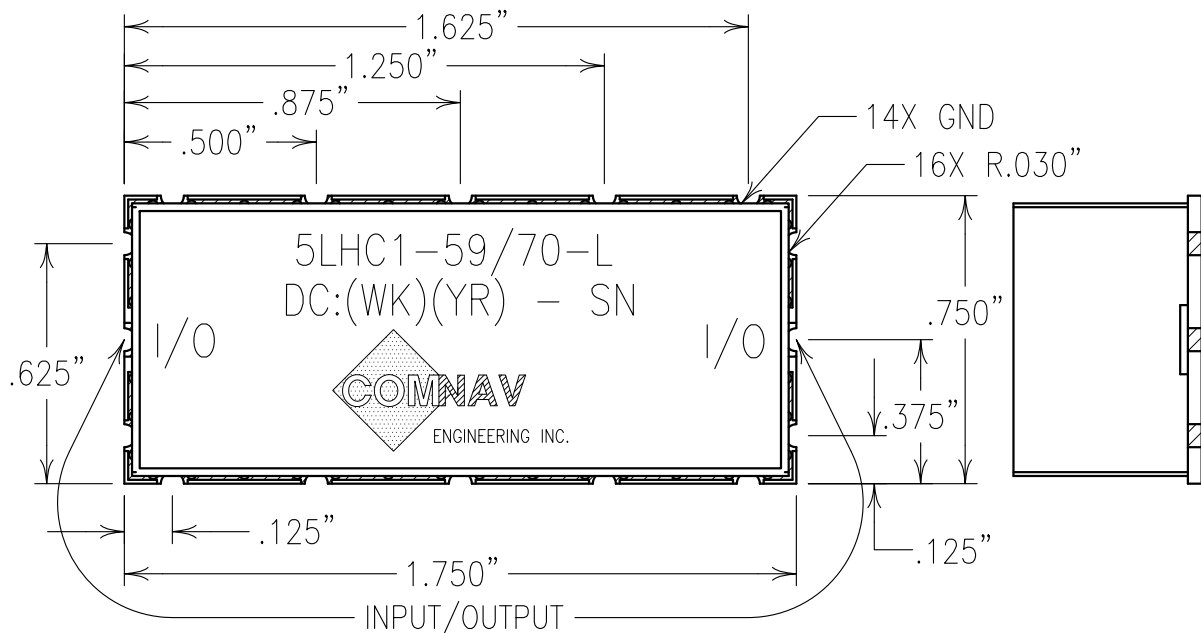


2



1

ELECTRICAL CHARACTERISTICS

CENTER FREQUENCY: 59 MHz NOM  
 PASSBAND: 30-88 MHz  
 P.B. INSERTION LOSS: 2.0 dB MAX  
 RETURN LOSS: 14 dB  
 REJECTION:  
 40 dBc MIN @ DC-10 MHz  
 40 dBc MIN @ 200-4000 MHz  
 SOURCE AND LOAD: 50 OHMS

NOTES:

FILTER IS ROHS COMPLIANT.

**COPY**

Confidential and Proprietary information of ComNav Engineering Inc. Do Not Duplicate or Use Without Permission. ComNav Engineering Inc. claims Copyright in this document as of the Creation, last revision, and last updated dates. All Rights Reserved.								A
ENGLISH / METRIC ENGLISH		CHECKED BY						
TOLERANCES UNLESS OTHERWISE SPECIFIED		DRAWN BY		II		01OCT15		KJR
MACHINED SURFACES TO BE 125/ OR BETTER		PBF		DEV.		INI. ISS. PER 3956		
REMOVE ALL BURRS		ENGINEER		REV		DATE		BY
		KJR		DCN No.		REMARKS		
ENGLISH (INCHES)	METRIC (MM)	SCALE		APPLIC: CERAMIC COAXIAL FILTER				
.XX ±.02	.X ±.25	2:1		TITLE: 5LHC1-59/70-L				
.XXX ±.010	.XX ±.13	DATE						
ANGLES ± 0° 30'	09OCT15							
		FINISH: BOARD: NICKEL/GOLD			DRAWING No.		SHEET OF	
		JACKET: NICKEL/SILVER			0L1533		1 1	