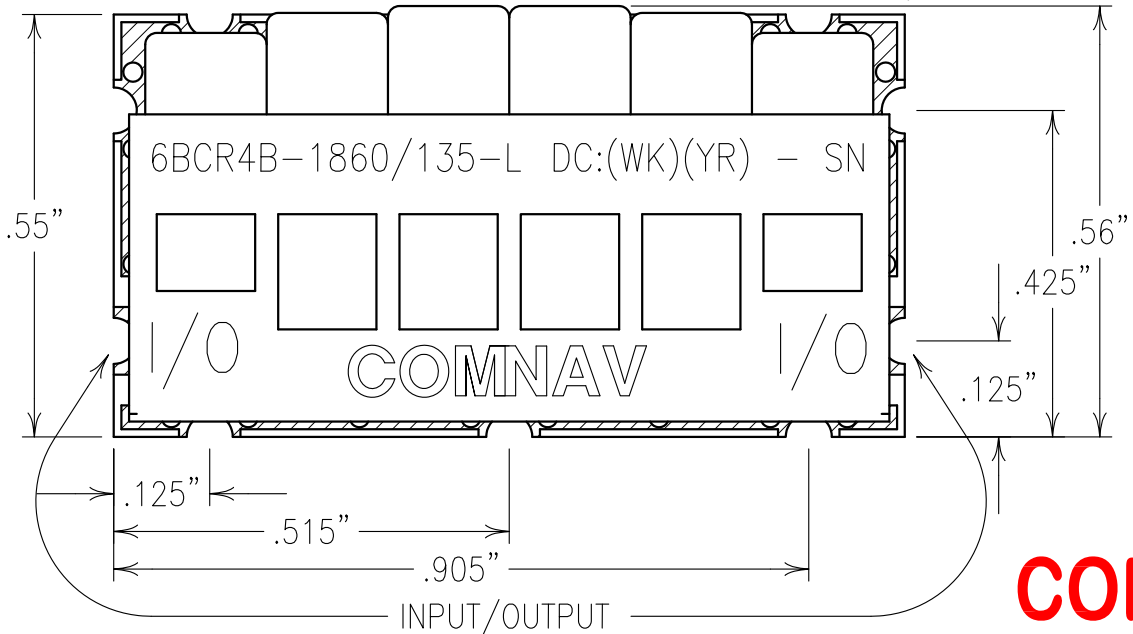


2

1

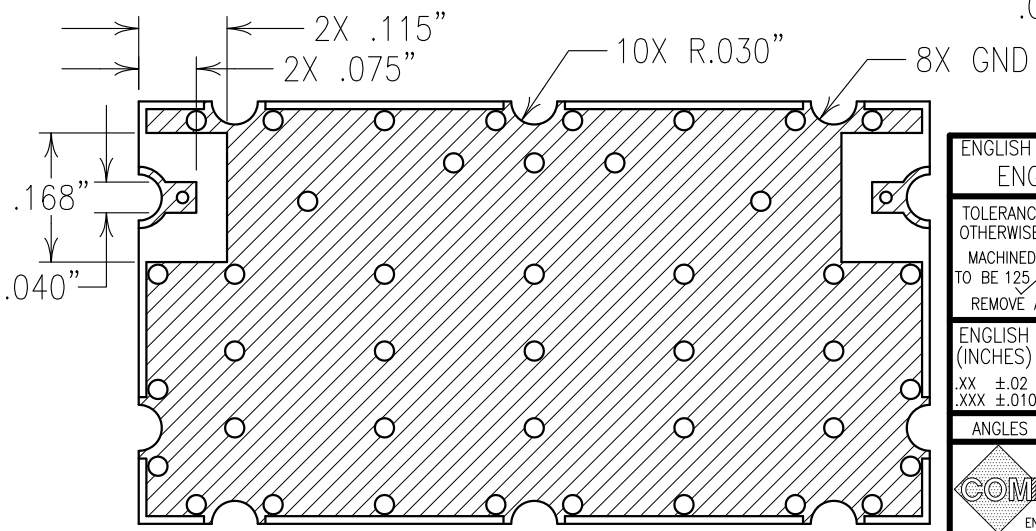
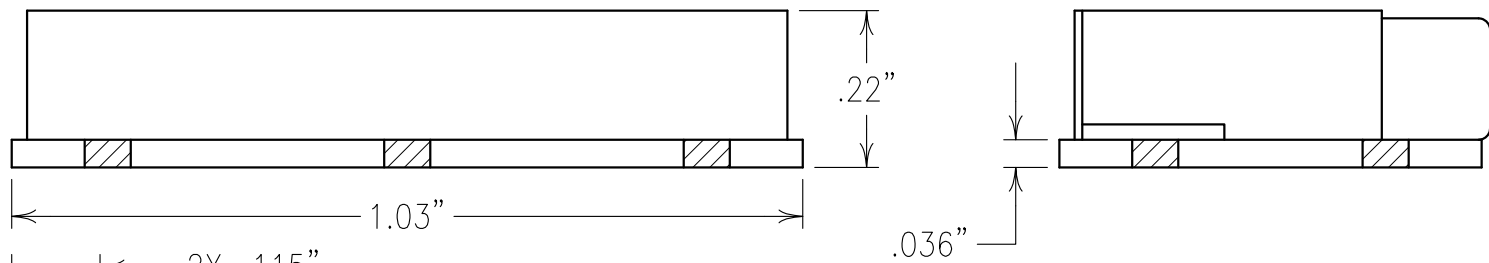


### ELECTRICAL CHARACTERISTICS

CENTER FREQUENCY: 1860 MHz NOM  
 PASSBAND: 1800-1920 MHz  
 P.B. INSERTION LOSS: 2.5 dB MAX/  
 2.0 dB GOAL  
 RETURN LOSS: 14 dB  
 REJECTION:  
 40 dBc MIN @ DC-1740 MHz  
 40 dBc MIN @ 1992-4000 MHz  
 SOURCE AND LOAD: 50 OHMS

NOTES:  
 RECOMMENDED FOOTPRINT: FP0123.  
 FILTER MAY BE LABELED OR ETCHED.  
 FILTER IS ROHS COMPLIANT.

**COPY**



Confidential and Proprietary information of ComNav Engineering Inc. Do Not Duplicate or Use Without Permission. ComNav Engineering Inc. claims Copyright in this document as of the Creation, last revision, and last updated dates. All Rights Reserved.

ENGLISH / METRIC		CHECKED BY							
ENGLISH		DRAWN BY		PFB		II		01OCT15	KJR DEV.
TOLERANCES UNLESS OTHERWISE SPECIFIED		ENGINEER		KJR		REV		DATE	BY DCN No.
MACHINED SURFACES TO BE 125 OR BETTER REMOVE ALL BURRS		SCALE		4:1		APPLIC:		CERAMIC COAXIAL FILTER	
ENGLISH (INCHES)		METRIC (MM)		DATE		TITLE:		6BCR4B-1860/135-L	
.XX ±.02		.X ±.25		12OCT15					
.XXX ±.010		.XX ±.13		ANGLES ± 0° 30'					

FINISH: BOARD: NI/GOLD  
 JACKET: NI/SILVER  
 RESONATOR: SILVER

DRAWING No. 0L1532

SHEET OF 1 1