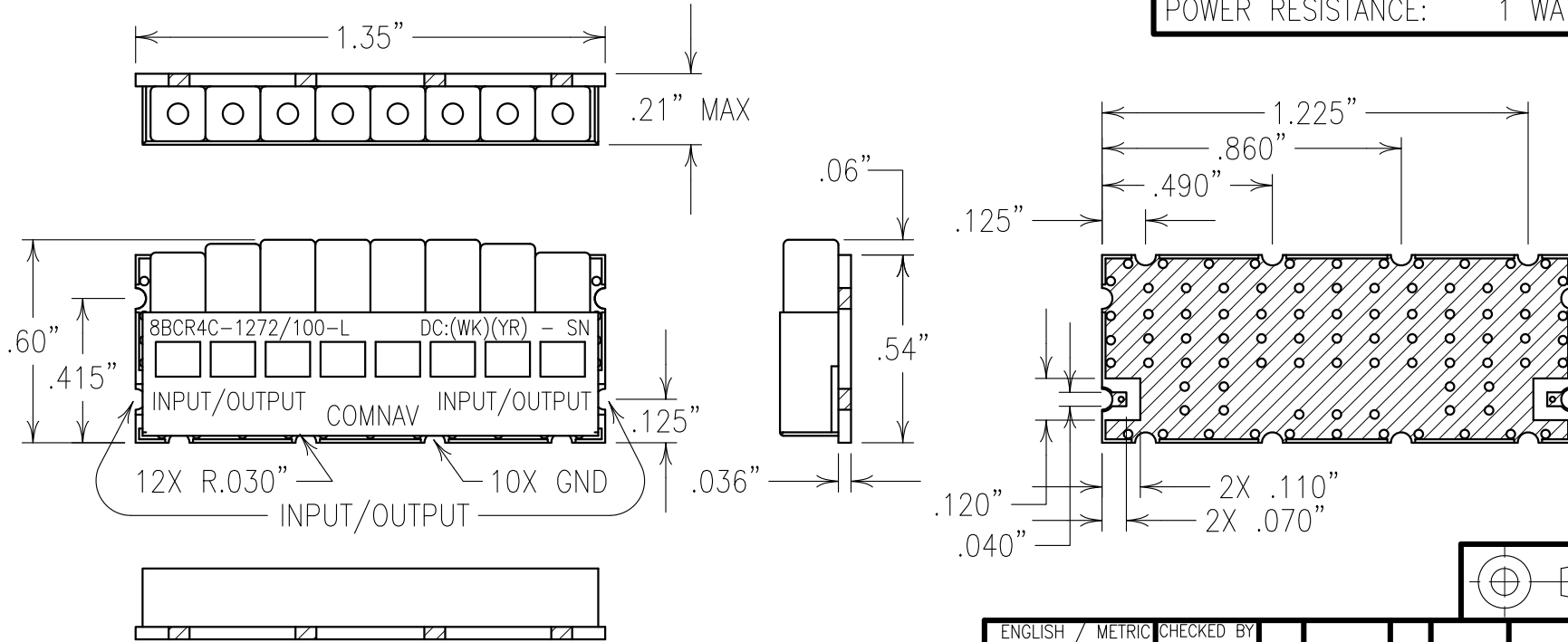


**COPY**

**ELECTRICAL CHARACTERISTICS**

CENTER FREQUENCY:	1272 MHz
1.0 dB BANDWIDTH:	FO±34 MHz
VSWR:	1.5:1 TYP
PASSBAND INSERTION LOSS:	4.0 dB MAX
REJECTION:	
60 dBc MIN @	1110-1174 MHz
40 dBc MIN @	1370-1433 MHz
OPERATING TEMP.:	-20 TO +85°C
POWER RESISTANCE:	1 WATT



Confidential and Proprietary information of ComNav Engineering Inc. Do Not Duplicate or Use Without Permission. ComNav Engineering Inc. claims Copyright in this document as of the Creation, last revision, and last updated dates. All Rights Reserved.

**NOTES:**

FILTER IS ROHS COMPLIANT.  
 FILTER MAY BE LABELED OR ETCHED.

ENGLISH / METRIC ENGLISH	CHECKED BY				
TOLERANCES UNLESS OTHERWISE SPECIFIED MACHINED SURFACES TO BE 125/ OR BETTER REMOVE ALL BURRS	DRAWN BY PBF	II	15SEP15	KJR	DEV. INI. ISS. PER 3950
ENGLISH (INCHES) .XX ±.02 .XXX ±.01	ENGINEER KJR	REV	DATE	BY	DCN No. REMARKS
METRIC (MM) .X ±.25 .XX ±.13	SCALE 2:1	APPLIC: CERAMIC COAXIAL FILTER			
ANGLES ± 0° 30'	DATE 16SEP15	TITLE: 8BCR4C-1272/100-L			
	FINISH: BOARD: NI/AU JACKET: NI/SILVER RESONATOR: SILVER	DRAWING No. 0L1529		SHEET/OF 1/1	