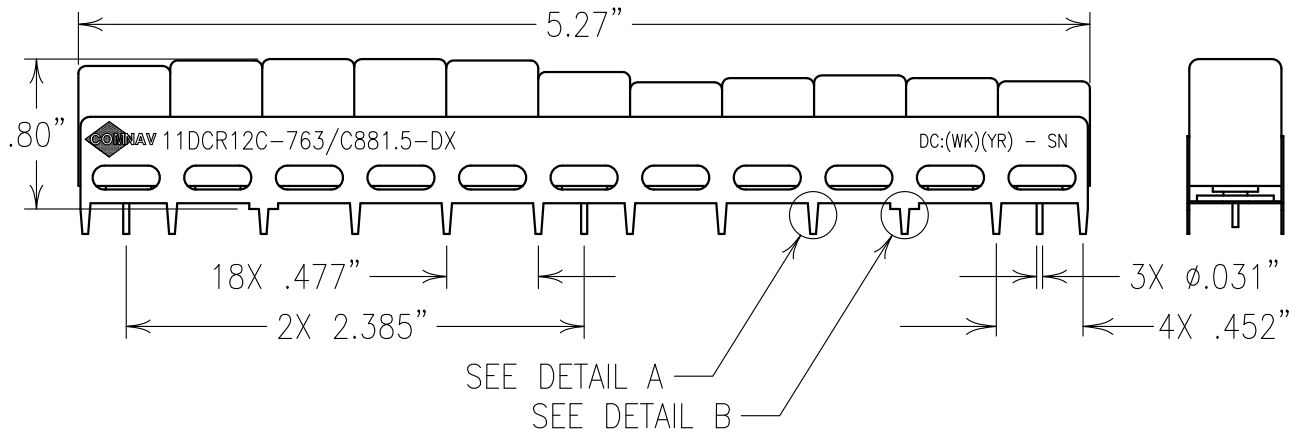


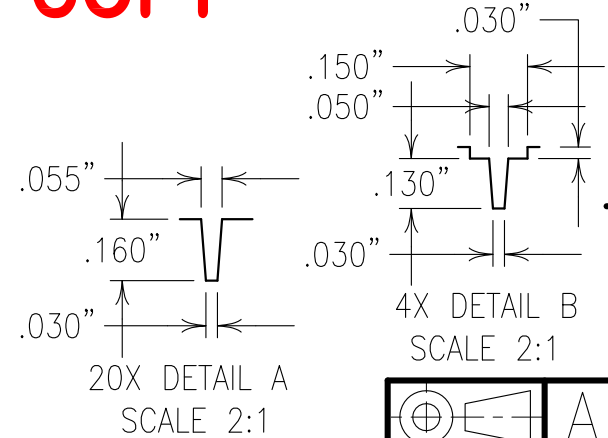
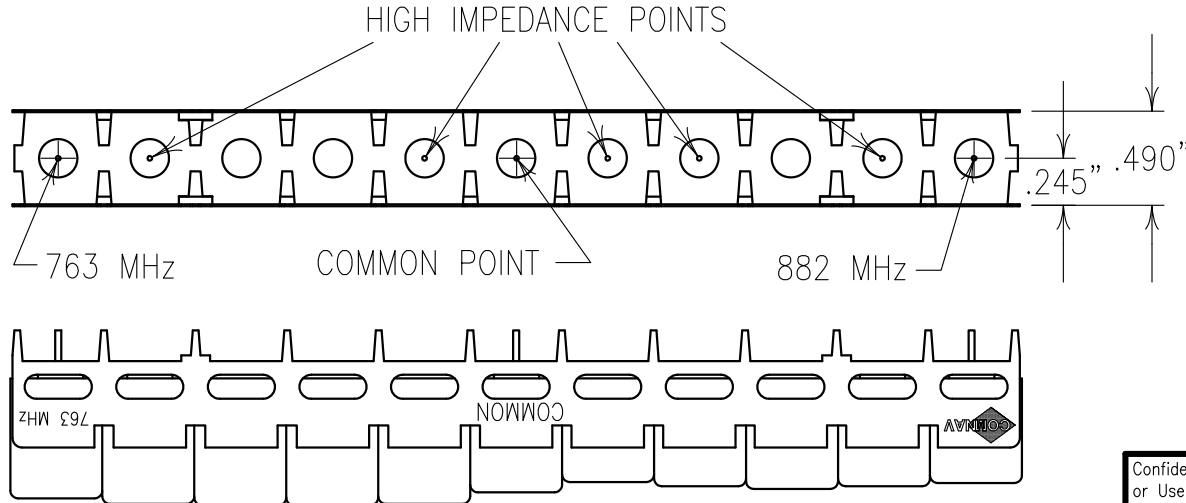
2

1



ELECTRICAL SPECIFICATIONS	
CENTER FREQUENCY:	763 MHz 881.5 MHz
PASSBAND (MHz):	758-768 869-894
PASSBAND I.L.(dB):	2.5 MAX 1.8 MAX
PASSBAND FLATNESS:	1.0 dB MAX 1.0 dB MAX
PASSBAND VSWR:	1.5:1 MAX 1.5:1 MAX
REJECTION:	
50 dBc MIN.:	788-798 MHz 824-849 MHz
POWER HANDLING:	32 WATTS AVE., 200 WATTS PEAK
OPERATING TEMPERATURE:	-40° TO +85°C

COPY



Confidential and Proprietary information of ComNav Engineering Inc. Do Not Duplicate or Use Without Permission. ComNav Engineering Inc. claims Copyright in this document as of the Creation, last revision, and last updated dates. All Rights Reserved.

NOTES:

FILTER IS ROHS COMPLIANT.
FILTER MAY BE LABELED OR ETCHED.

ENGLISH / METRIC ENGLISH	CHECKED BY				
TOLERANCES UNLESS OTHERWISE SPECIFIED MACHINED SURFACES TO BE 125 / OR BETTER REMOVE ALL BURRS	DRAWN BY PBF	II	10AUG15	KJR	DEV.
	ENGINEER KJR	REV	DATE	BY	DCN No.
ENGLISH (INCHES) .XX ±.02 .XXX ±.010	METRIC (MM) .X ±.25 .XX ±.13	SCALE 1:1	APPLIC: CERAMIC COAXIAL FILTER		
ANGLES ± 0° 30'	DATE 11AUG15	TITLE: 11DCR12C-763/C881.5-DX			
COMNAV ENGINEERING INC.	FINISH: BOARD:NI/AU JACKET:NI/SILVER RESONATOR:SILVER	DRAWING No. 0L1527		SHEET OF 1 1	

B

A