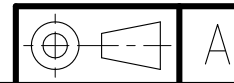
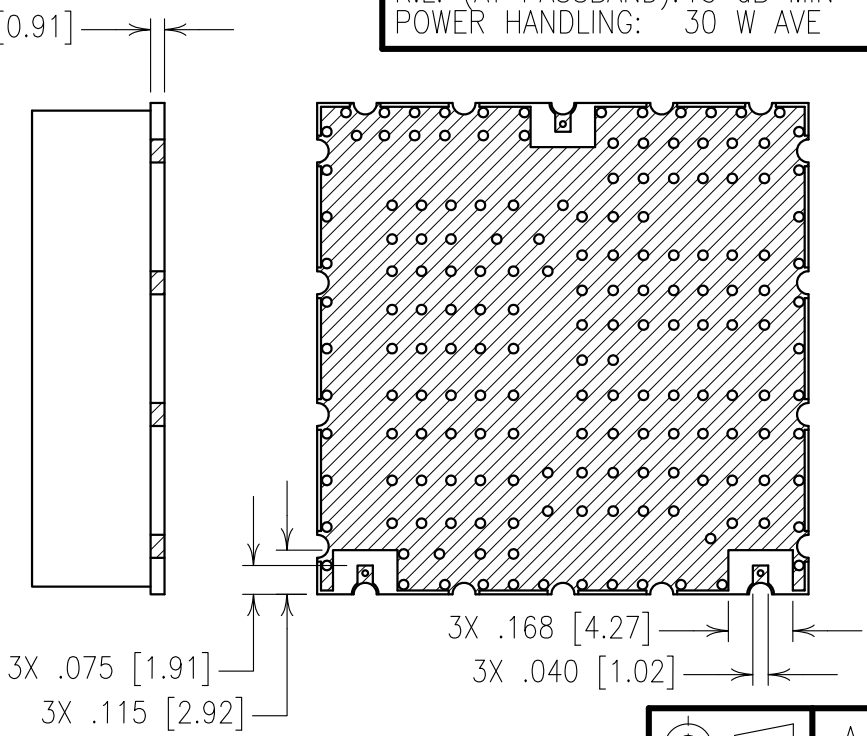
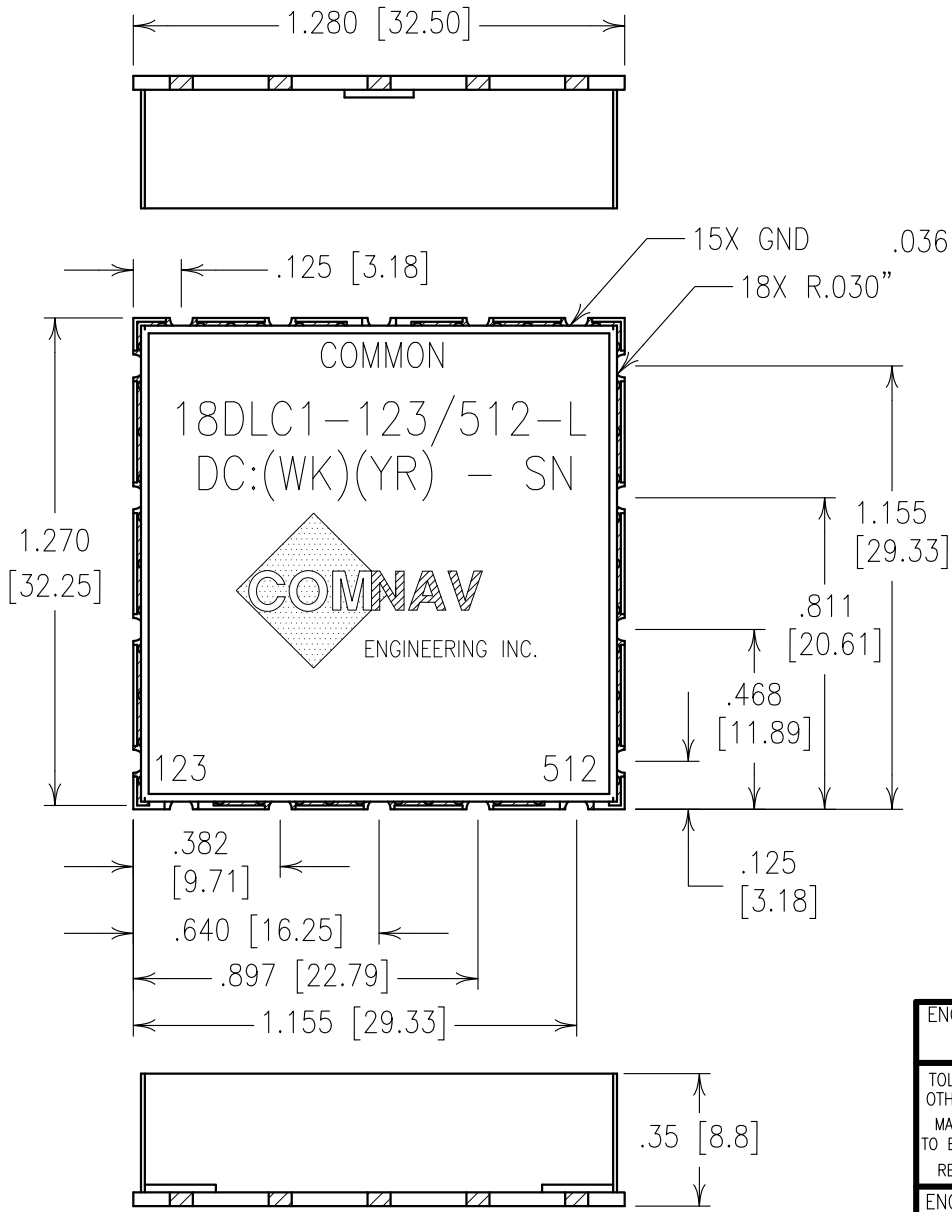


2

1

**COPY**

ELECTRICAL CHARACTERISTICS	
LOW BAND:	30-88 MHz
HIGH BAND:	174-512 MHz
I.L.:	1 dB MAX
ISOLATION:	50 dB
REJECTION:	40 dB
R.L. (AT PASSBAND):	15 dB MIN
POWER HANDLING:	30 W AVE



NOTES:  
FILTER IS ROHS COMPLIANT.

Confidential and Proprietary information of ComNav Engineering Inc. Do Not Duplicate or Use Without Permission. ComNav Engineering Inc. claims Copyright in this document as of the Creation, last revision, and last updated dates. All Rights Reserved.

ENGLISH / METRIC ENGLISH	CHECKED BY				
TOLERANCES UNLESS OTHERWISE SPECIFIED TO BE 125 OR BETTER REMOVE ALL BURRS	DRAWN BY PBF				
ENGLISH (INCHES) .XX ±.02 .XXX ±.010	ENGINEER KJR	II	30JUN14	KJR	DEV. INI. ISS. PER 3930
METRIC (MM) .X ±.25 .XX ±.13	SCALE 2:1	REV	DATE	BY	DCN No. REMARKS
ANGLES ± 0° 30'	DATE 06JUL15	APPLIC: CERAMIC COAXIAL FILTER			
		TITLE: 18DLC1-123/512-L			
		FINISH: BOARD: NICKEL/GOLD JACKET: NICKEL/SILVER			DRAWING No. 0L1521
					SHEET OF 1 1