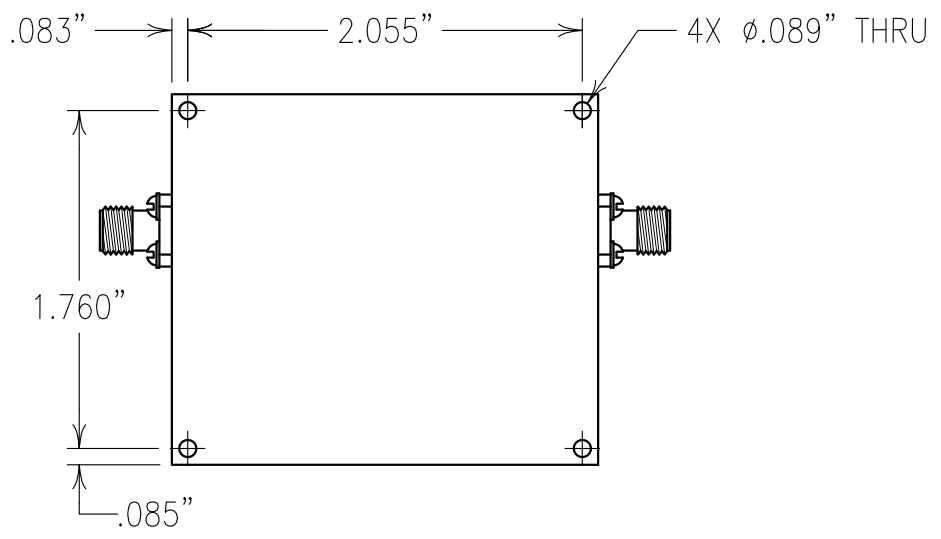


ELECTRICAL CHARACTERISTICS	
CENTER FREQUENCY:	1370 MHz NOM
PASSBAND:	350-1330, 1410-1600 MHz
PASSBAND FLATNESS:	1.75 dB MAX
P.B. INSERTION LOSS:	3.0 dB MAX
NOTCH BAND:	1350-1390 MHz
ATTENUATION IN NOTCH:	35 dB MIN
POWER HANDLING:	6 WATTS IN P.B.
WEIGHT:	2.75 OZ MAX

**COPY**



NOTES:

FILTER IS ROHS COMPLIANT.  
 FILTER MAY BE LABELED OR ETCHED.

ENGLISH / METRIC CHECKED BY					
ENGLISH					
TOLERANCES UNLESS OTHERWISE SPECIFIED MACHINED SURFACES TO BE 125 / OR BETTER REMOVE ALL BURRS	DRAWN BY PBF	II	14APR15	KJR	DEV. INI. ISS. PER 3904
	ENGINEER KJR	REV	DATE	BY	DCN No. REMARKS

ENGLISH (INCHES)	METRIC (MM)	SCALE 1:1	APPLIC: CERAMIC FILTER
.XX ±.02	.X ±.2	DATE 15APR15	TITLE: 7NCR6C-1370/66-0
.XXX ±.01	.XX ±.13		SHEET OF 1 1
ANGLES ± 0° 30'			

Confidential and Proprietary information of ComNav Engineering Inc. Do Not Duplicate or Use Without Permission. ComNav Engineering Inc. claims Copyright in this document as of the Creation, last revision, and last updated dates. All Rights Reserved.

	MATERIAL: ALUMINUM	DRAWING No.
	FINISH: SILVER	OL1497