

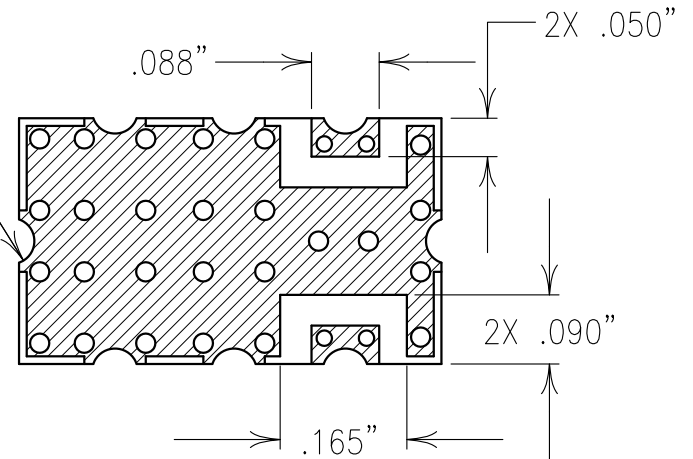
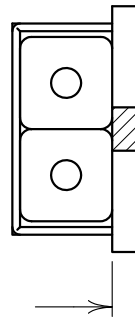
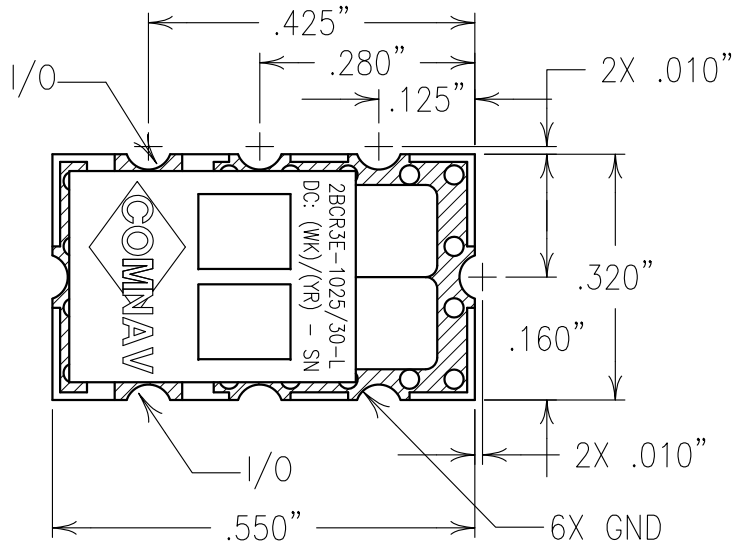
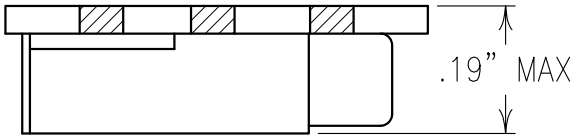
2

1

ELECTRICAL CHARACTERISTICS

CENTER FREQUENCY: 1025 MHz NOM
 3dB BANDWIDTH: 30 MHz NOM.
 INSERTION LOSS: 2.5 dB MAX@ F0
 VSWR: TYPICAL TWO SECTION RESPONSE
 REJECTION:
 30 dBc @ F0±100 MHz
 TEMP. RANGE: -40 TO +85°C
 STORAGE TEMP.: -40 TO +85°C

COPY



Confidential and Proprietary information of ComNav Engineering Inc. Do Not Duplicate or Use Without Permission. ComNav Engineering Inc. claims Copyright in this document as of the Creation, last revision, and last updated dates. All Rights Reserved.

NOTES:
 FOR RECOMMENDED FOOTPRINT SEE FP0015.

ENGLISH / METRIC ENGLISH	CHECKED BY						
TOLERANCES UNLESS OTHERWISE SPECIFIED MACHINED SURFACES TO BE 125/10R BETTER REMOVE ALL BURRS	DRAWN BY PBF						
	ENGINEER KJR	REV II	DATE 27FEB15	BY KJR	DCN No.	DEV.	REMARKS INI. ISS. PER 3892
ENGLISH (INCHES) .XX ±.02 .XXX ±.010	METRIC (MM) .X ±.50 .XX ±.25	SCALE 4:1	APPLIC: CERAMIC COAXIAL FILTER				
ANGLES ± 0° 30'	DATE 27FEB15	TITLE: 2BCR3E-1025/30-L					

COMNAV ENGINEERING INC. FINISH: BOARD: NICKEL/GOLD
 JACKET: NICKEL/SILVER
 RESONATOR: SILVER DRAWING No. OL1487 SHEET OF 1 1