

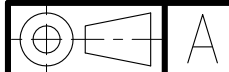
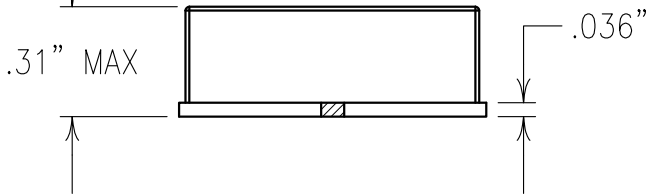
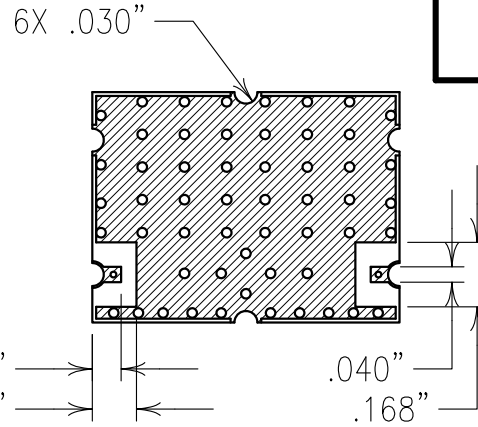
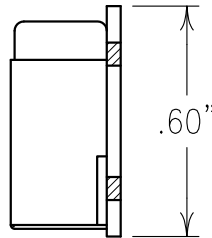
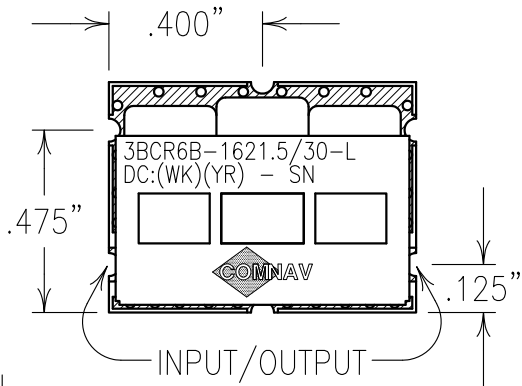
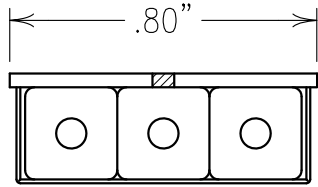
2

1

COPY

ELECTRICAL CHARACTERISTICS

CENTER FREQUENCY: 1621.5 MHz NOM
 PASSBAND: 1616-1626.5 MHz
 P.B. INSERTION LOSS: 2.0 dB MAX
 P.B. RETURN LOSS: 14 dB MIN
 REJECTIONS:
 50 dB MIN @ DC-1500 MHz
 40 dB MIN @ 1700-1800 MHz
 50 dB MIN @ 1800-1900 MHz
 60 dB MIN @ 1900-2000 MHz
 60 dB MIN @ 2000-2500 MHz
 40 dB MIN @ 2500-4050 MHz



Confidential and Proprietary information of ComNav Engineering Inc. Do Not Duplicate or Use Without Permission. ComNav Engineering Inc. claims Copyright in this document as of the Creation, last revision, and last updated dates. All Rights Reserved.

ENGLISH / METRIC	CHECKED BY				
ENGLISH					
TOLERANCES UNLESS OTHERWISE SPECIFIED MACHINED SURFACES TO BE 125 OR BETTER REMOVE ALL BURRS	DRAWN BY				
	PBF	II	15JAN15	KJR	DEV. INI. ISS. PER 3878
	ENGINEER	REV	DATE	BY	DCN No.
	KJR				REMARKS
ENGLISH (INCHES)	METRIC (MM)	SCALE	APPLIC: CERAMIC COAXIAL FILTER		
.XX ±.02 .XXX ±.010	.X ±.50 .XX ±.25	2:1			
ANGLES ± 0° 30'	DATE	TITLE: 3BCR6B-1621.5/30-L			
	15JAN15				

NOTES:

FILTER IS ROHS COMPLIANT.
 FILTER MAY BE LABELED OR ETCHED.



FINISH: BOARD: NICKEL/GOLD
 JACKET: NICKEL/SILVER

DRAWING No. 0L1482
 SHEET OF 1 1