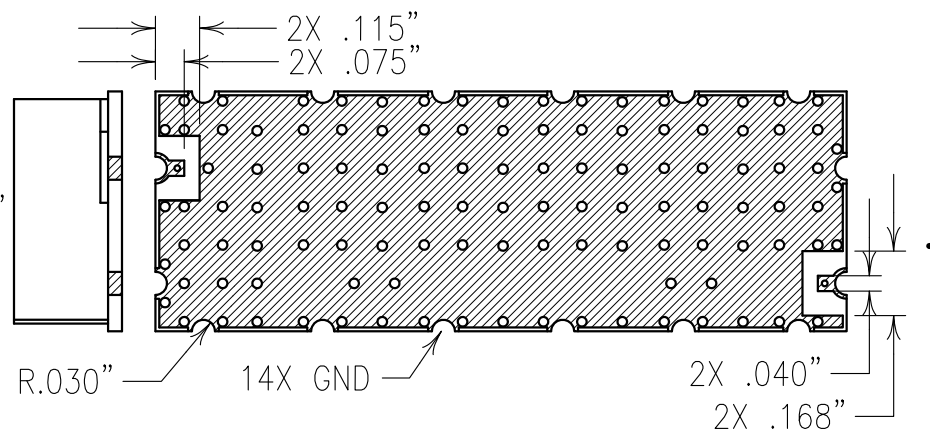
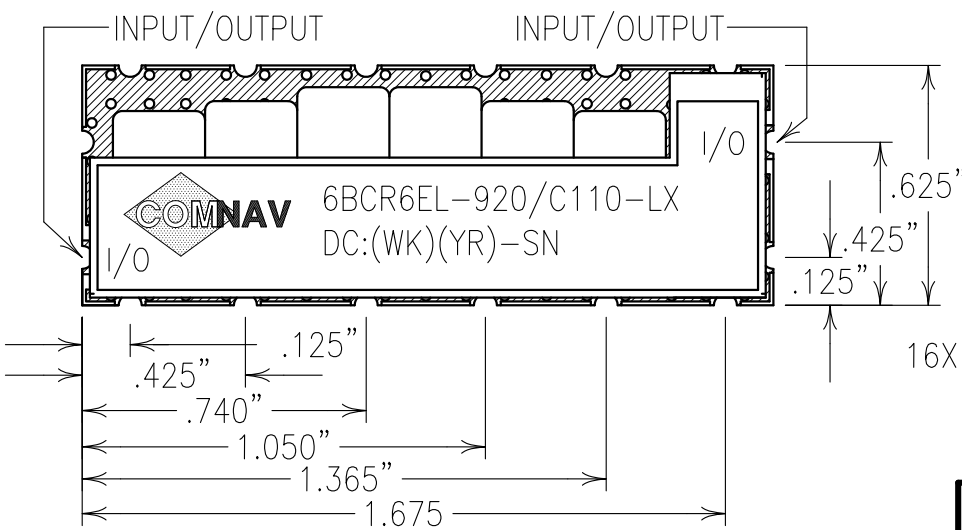
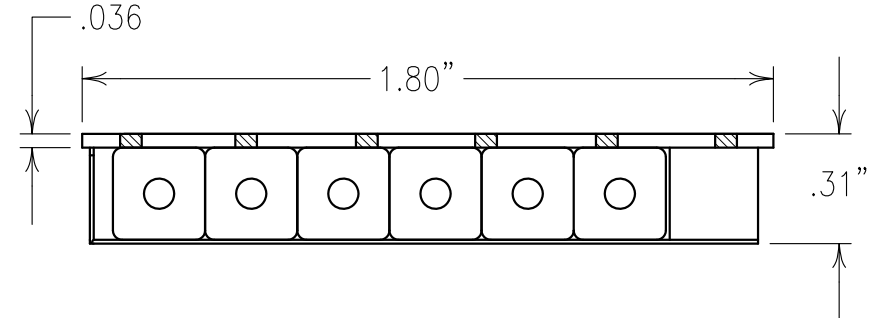


2

1

COPY

ELECTRICAL CHARACTERISTICS	
CENTER FREQUENCY:	920 MHz NOM
PASSBAND:	880-960 MHz
PASSBAND FLATNESS:	1.0 dB MAX
INSERTION LOSS:	1.5 dB MAX @ 920 MHz
PASSBAND RETURN LOSS:	15 dB
REJECTION:	
	40 dBc MIN @ DC-840 MHz
	20 dBc MIN @ 840-855 MHz
	20 dBc MIN @ 990-4000 MHz



Confidential and Proprietary information of ComNav Engineering Inc. Do Not Duplicate or Use Without Permission. ComNav Engineering Inc. claims Copyright in this document as of the Creation, last revision, and last updated dates. All Rights Reserved.

NOTES:
 FILTER IS ROHS COMPLIANT.
 FILTER MAY BE LABELED OR ETCHED.

ENGLISH / METRIC ENGLISH	CHECKED BY						
TOLERANCES UNLESS OTHERWISE SPECIFIED	DRAWN BY						
MACHINED SURFACES TO BE 125 / OR BETTER	PBF	II	11DEC14	KJR	DEV.	INI.	ISS. PER 3868
REMOVE ALL BURRS	ENGINEER	REV	DATE	BY	DCN No.	REMARKS	
	KJR						
ENGLISH (INCHES)	METRIC (MM)	SCALE	APPLIC: COAXIAL FILTER				
.XX ±.02	.X ±.25	2:1					
XXX ±.010	XX ±.13	DATE	TITLE: 6BCR6EL-920/C110-LX				
ANGLES ± 0° 30'		12DEC14					
	FINISH: BOARD: NI/AU PLATED COPPER	DRAWING No.			SHEET OF 1 1		
	JACKET: NI/SILVER	OL1476					
	RESONATOR: SILVER						