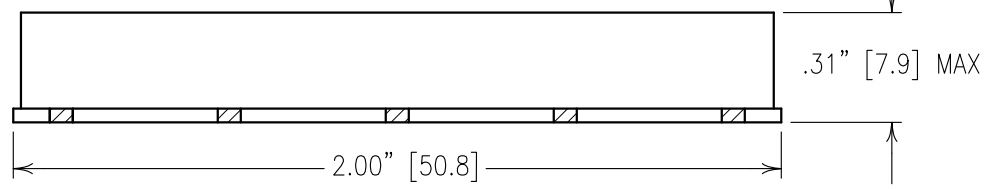
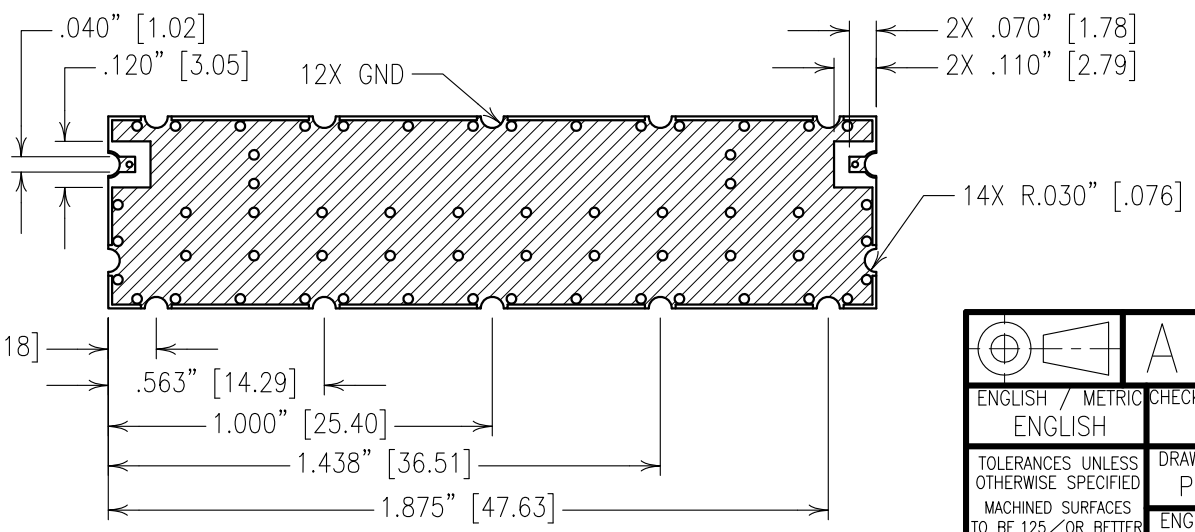


**COPY**



ELECTRICAL CHARACTERISTICS	
CENTER FREQUENCY:	1575.42 MHz
3 dB BANDWIDTH:	29 MHz NOM
INSERTION LOSS:	5.0 dB MAX@F0/ 4.5 dB GOAL
PASSBAND:	F0±12 MHz
PASSBAND FLATNESS:	2.0 dB MAX/ 1.8 dB GOAL
PASSBAND VSWR:	1.5:1
P.B. DELAY VARIATION:	25 nSEC MAX
REJECTION:	55 dBc MIN @ 1604 MHz *65 dBc MIN @ 1542 MHz *80 dBc MIN @ <1535 & >1615 MHz
OPERATING TEMP.:	-40 TO +85°C



\*REJECTIONS WHICH ARE >60 dB ARE DEPENDENT ON GROUNDING AND TEST DYNAMIC RANGE, AND ARE CONSIDERED "DESIGN TO MEET" ONLY.

		CHECKED BY			
ENGLISH / METRIC		ENGLISH			
TOLERANCES UNLESS OTHERWISE SPECIFIED MACHINED SURFACES TO BE 125 OR BETTER REMOVE ALL BURRS		DRAWN BY PBF			
		II	05DEC14	KJR	DEV. INI. ISS. PER 3864
		ENGINEER KJR			
		REV	DATE	BY	DCN No. REMARKS
ENGLISH (INCHES)	METRIC (MM)	SCALE 2:1		APPLIC: CERAMIC COAXIAL FILTER	
.XX ±.02	.X ±.50	DATE 11DEC14		TITLE: 8BCR6C-1575.42/29-L	
.XXX ±.010	.XX ±.25				
ANGLES ± 0° 30'		FINISH: BOARD: NICKEL/GOLD JACKET: NICKEL/SILVER		DRAWING No. 0L1475	
Confidential and Proprietary information of ComNav Engineering Inc. Do Not Duplicate or Use Without Permission. ComNav Engineering Inc. claims Copyright in this document as of the Creation, last revision, and last updated dates. All Rights Reserved.					SHEET OF 1 1

NOTES:  
 FILTER IS ROHS COMPLIANT.  
 FILTER MAY BE LABELED OR ETCHED.