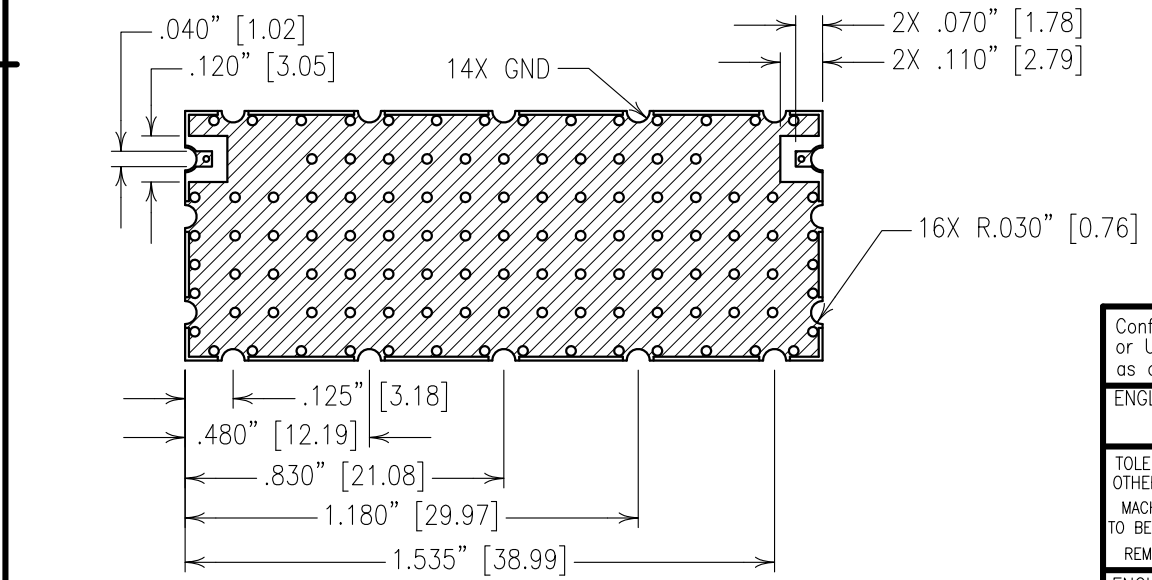
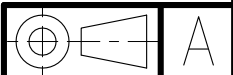


ELECTRICAL CHARACTERISTICS	
CENTER FREQUENCY:	1176.45 MHz
3 dB BANDWIDTH:	30 MHz NOM
INSERTION LOSS:	2.0 dB MAX@FO
PASSBAND:	FO±12 MHz
PASSBAND FLATNESS:	1.5 dB MAX
PASSBAND VSWR:	1.5:1
P.B. DELAY VARIATION:	25 nSEC MAX
REJECTION:	
	30 dBc MIN @ 1147 & 1207 MHz
	55 dBc MIN @ 1130 & 1257 MHz
	*70 dBc MIN @ 1101 & 1267 MHz
	*73 dBc MIN @ 1300 MHz
OPERATING TEMP.:	-40 TO +85°C

*REJECTIONS WHICH ARE >60 dB ARE DEPENDENT ON GROUNDING AND TEST DYNAMIC RANGE, AND ARE CONSIDERED "DESIGN TO MEET" ONLY.



COPY



Confidential and Proprietary information of ComNav Engineering Inc. Do Not Duplicate or Use Without Permission. ComNav Engineering Inc. claims Copyright in this document as of the Creation, last revision, and last updated dates. All Rights Reserved.

ENGLISH / METRIC CHECKED BY					
ENGLISH					
TOLERANCES UNLESS OTHERWISE SPECIFIED MACHINED SURFACES TO BE 125 / OR BETTER REMOVE ALL BURRS	DRAWN BY PBF	II	05DEC14	KJR	DEV. INI. ISS. PER 3864
	ENGINEER KJR	REV	DATE	BY	DCN No. REMARKS

ENGLISH (INCHES)	METRIC (MM)	SCALE 2:1	APPLIC: CERAMIC COAXIAL FILTER
.XX ±.02	.X ±.50	DATE 11DEC14	TITLE: 5BCR8C-1176.45/30-L
.XXX ±.010	.XX ±.25		
ANGLES ± 0° 30'			

NOTES:
 FILTER IS ROHS COMPLIANT.
 FILTER MAY BE LABELED OR ETCHED.

COMNAV ENGINEERING INC. FINISH: BOARD: NICKEL/GOLD JACKET: NICKEL/SILVER DRAWING No. 0L1471 SHEET OF 1 1