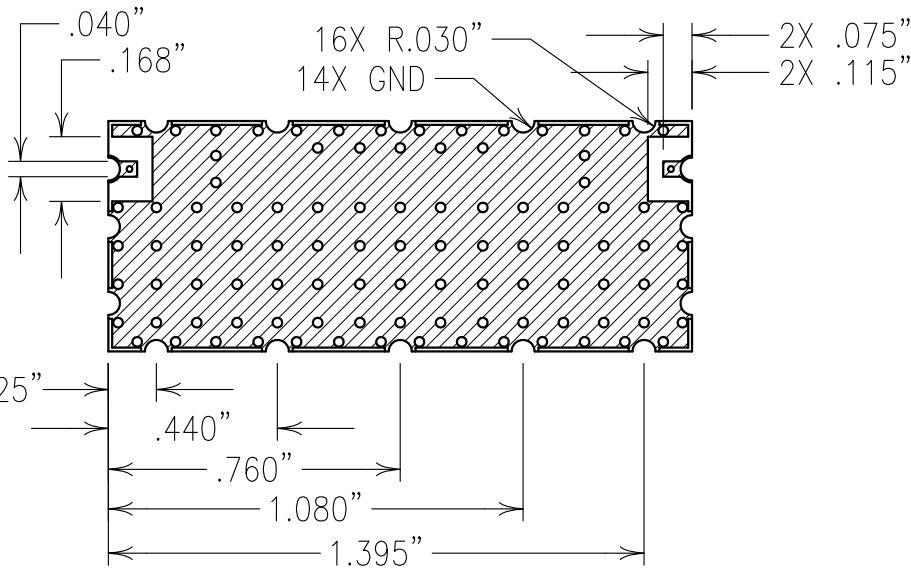
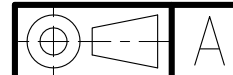


ELECTRICAL CHARACTERISTICS

CENTER FREQUENCY: 806 MHz
 PASSBAND: 791-821 MHz
 P.B. INSERTION LOSS: 2.5 dB MAX
 PASSBAND VSWR: 1.7:1 MAX
 REJECTION:
 30 dB MIN @ 832-862 MHz
 RF INPUT POWER: 10 WATTS MAX
 IMPEDANCE: 50 OHMS IN/OUT
 OPERATING TEMP.: -40 TO +85°C



COPY



Confidential and Proprietary information of ComNav Engineering Inc. Do Not Duplicate or Use Without Permission. ComNav Engineering Inc. claims Copyright in this document as of the Creation, last revision, and last updated dates. All Rights Reserved.

ENGLISH / METRIC	CHECKED BY				
ENGLISH					
TOLERANCES UNLESS OTHERWISE SPECIFIED MACHINED SURFACES TO BE 125 / OR BETTER REMOVE ALL BURRS	DRAWN BY				
	PBF	II	07OCT14	KJR	DEV. INI. ISS. PER 3847
	ENGINEER	REV	DATE	BY	DCN No.
	KJR				REMARKS

NOTES:

FILTER IS ROHS COMPLIANT.
 FILTER MAY BE LABELED OR ETCHED.

ENGLISH (INCHES)	METRIC (MM)	SCALE	APPLIC:
.XX ±.02	.X ±.50	2:1	CERAMIC COAXIAL FILTER
.XXX ±.010	.XX ±.25	DATE	TITLE:
ANGLES ± 0° 30'		08OCT14	6BCR6E-806/C38-L
FINISH: BOARD: NICKEL/GOLD JACKET: NICKEL/SILVER		DRAWING No.	SHEET OF
COMNAV ENGINEERING INC		0L1458	1 1