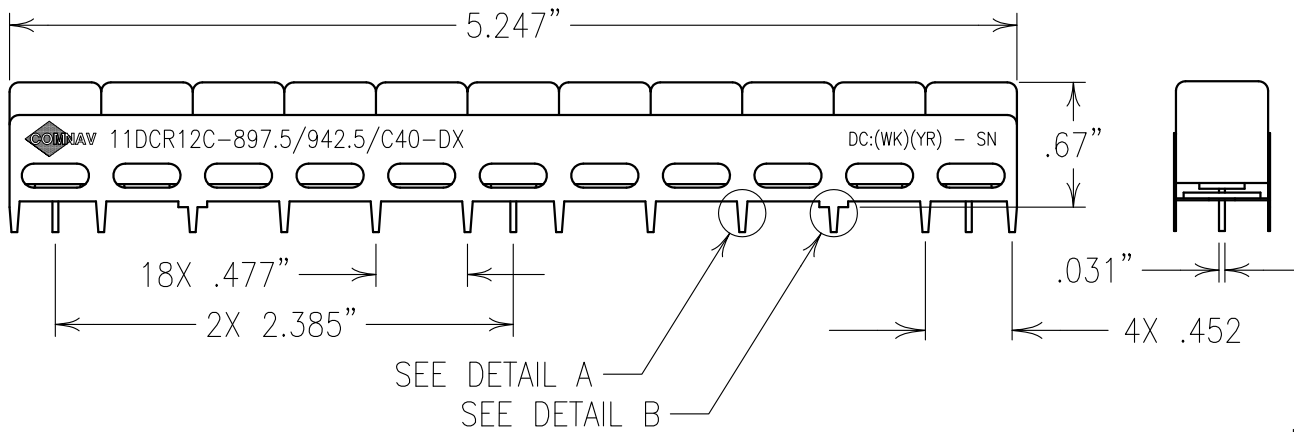


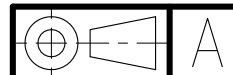
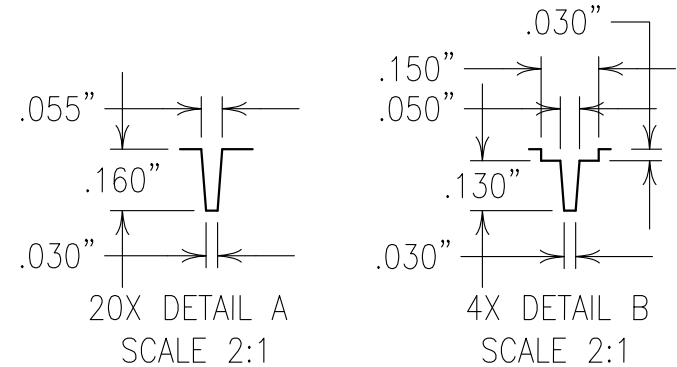
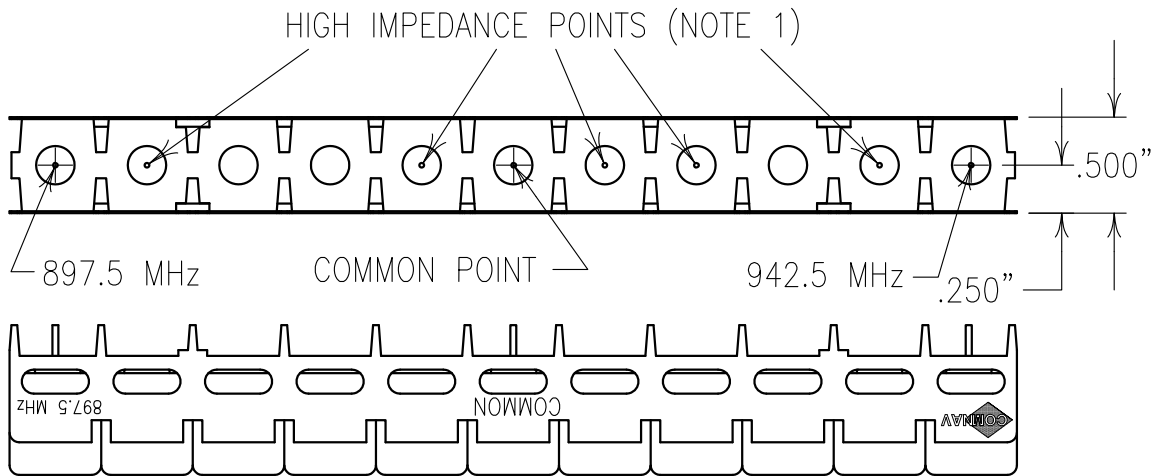
2

1



ELECTRICAL SPECIFICATIONS	
CENTER FREQUENCY: 897.5 MHz	942.5 MHz
PASSBAND (MHz): 880-915	925-960
P.B. INSERTION LOSS:	2.5 dB MAX
VSWR:	1.5:1 TYPICAL
CO-CHANNEL ISOLATION:	40 dB MIN
POWER HANDLING:	20 WATT INPUT

COPY



Confidential and Proprietary information of ComNav Engineering Inc. Do Not Duplicate or Use Without Permission. ComNav Engineering Inc. claims Copyright in this document as of the Creation, last revision, and last updated dates. All Rights Reserved.

NOTES:

FILTER IS ROHS COMPLIANT.
FILTER MAY BE LABELED OR ETCHED.

ENGLISH / METRIC ENGLISH	CHECKED BY				
TOLERANCES UNLESS OTHERWISE SPECIFIED MACHINED SURFACES TO BE 125 / OR BETTER REMOVE ALL BURRS	DRAWN BY PBF	A	17OCT14	KJR	DEV.
	ENGINEER KJR	II	28AUG14	KJR	DEV.
		REV	DATE	BY	DCN No.
ENGLISH (INCHES) .XX ±.02 .XXX ±.010	METRIC (MM) .X ±.25 .XX ±.13	SCALE 1:1	APPLIC: CERAMIC COAXIAL FILTER		
ANGLES ± 0° 30'	DATE 17OCT14	TITLE: 11DCR12C-897.5/942.5/C40-DX			
	FINISH: BOARD:NI/AU JACKET:NI/SILVER RESONATOR:SILVER	DRAWING No. OL1453	SHEET OF 1 1		