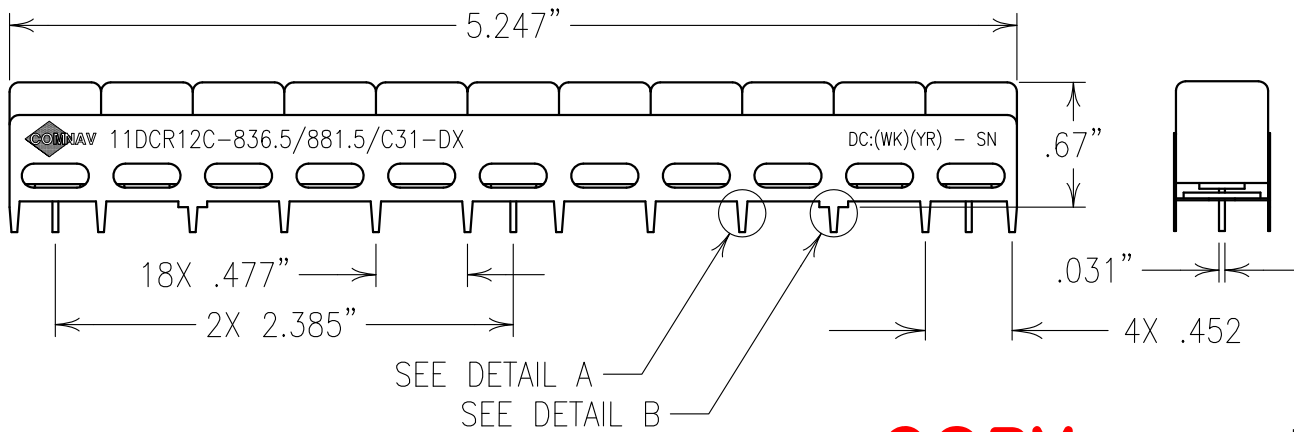


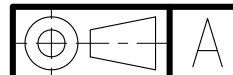
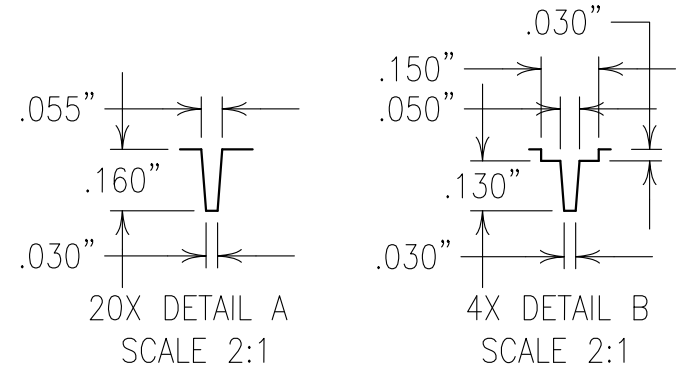
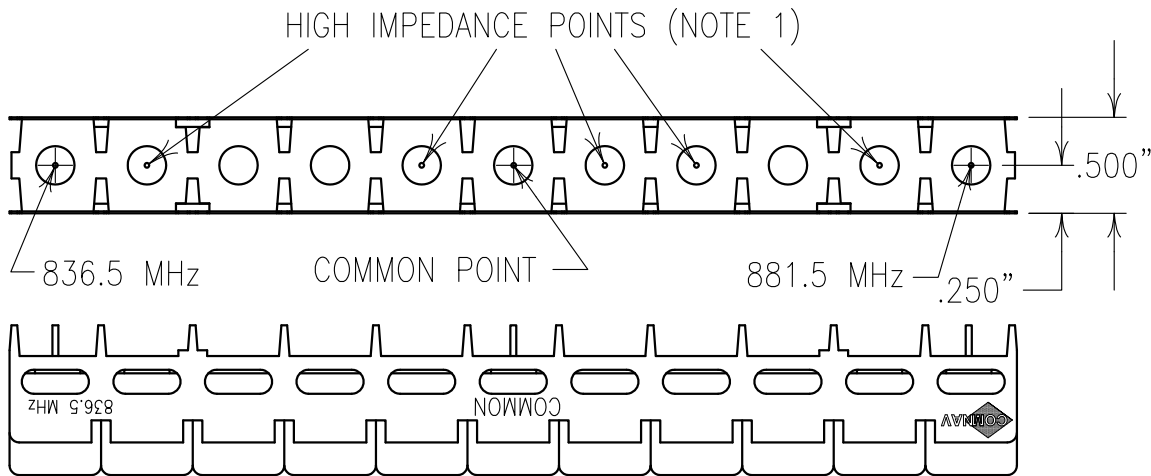
2

1



| ELECTRICAL SPECIFICATIONS | |
|-----------------------------|---------------|
| CENTER FREQUENCY: 836.5 MHz | 881.5 MHz |
| PASSBAND (MHz): 824-849 | 869-894 |
| P.B. INSERTION LOSS: | 1.75 dB MAX |
| VSWR: | 1.5:1 TYPICAL |
| CO-CHANNEL ISOLATION: | 40 dB MIN |
| POWER HANDLING: | 20 WATT INPUT |

COPY



Confidential and Proprietary information of ComNav Engineering Inc. Do Not Duplicate or Use Without Permission. ComNav Engineering Inc. claims Copyright in this document as of the Creation, last revision, and last updated dates. All Rights Reserved.

NOTES:

FILTER IS ROHS COMPLIANT.
 FILTER MAY BE LABELED OR ETCHED.

| | | | | | |
|--|--|------------------------------------|---------|-----|-----------------|
| ENGLISH / METRIC ENGLISH | CHECKED BY | | | | |
| TOLERANCES UNLESS OTHERWISE SPECIFIED MACHINED SURFACES TO BE 125 / OR BETTER REMOVE ALL BURRS | DRAWN BY PBF | A | 17OCT14 | KJR | DEV. |
| | ENGINEER KJR | II | 28AUG14 | KJR | DEV. |
| | SCALE 1:1 | REV | DATE | BY | DCN No. |
| ENGLISH (INCHES) .XX ±.02 .XXX ±.010 | METRIC (MM) .X ±.25 .XX ±.13 | APPLIC: CERAMIC COAXIAL FILTER | | | |
| ANGLES ± 0° 30' | DATE 17OCT14 | TITLE: 11DCR12C-836.5/881.5/C31-DX | | | |
| | FINISH: BOARD:NI/AU JACKET:NI/SILVER RESONATOR:SILVER | DRAWING No. OL1452 | | | SHEET OF 1 1 |