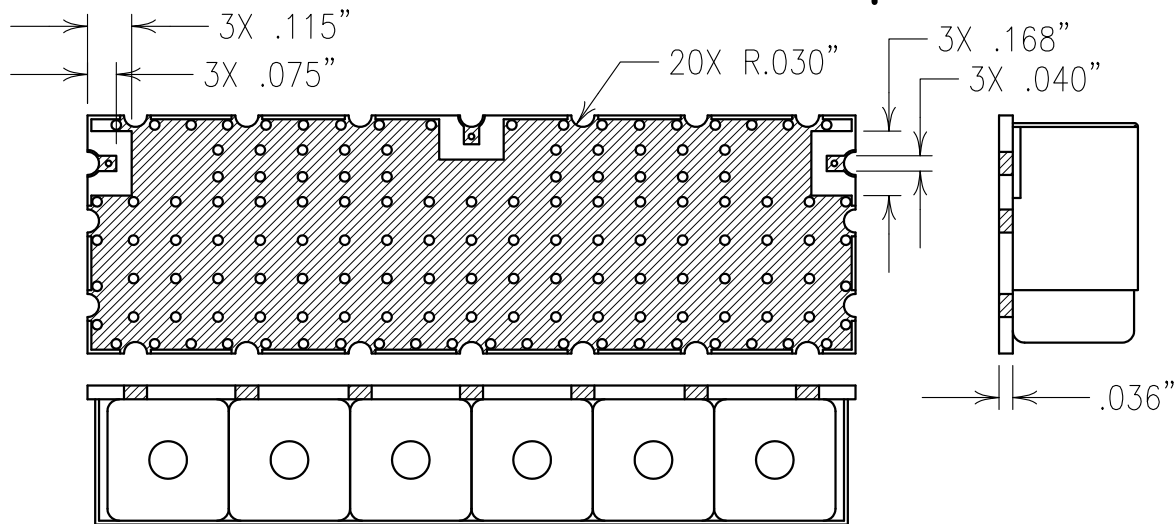


2

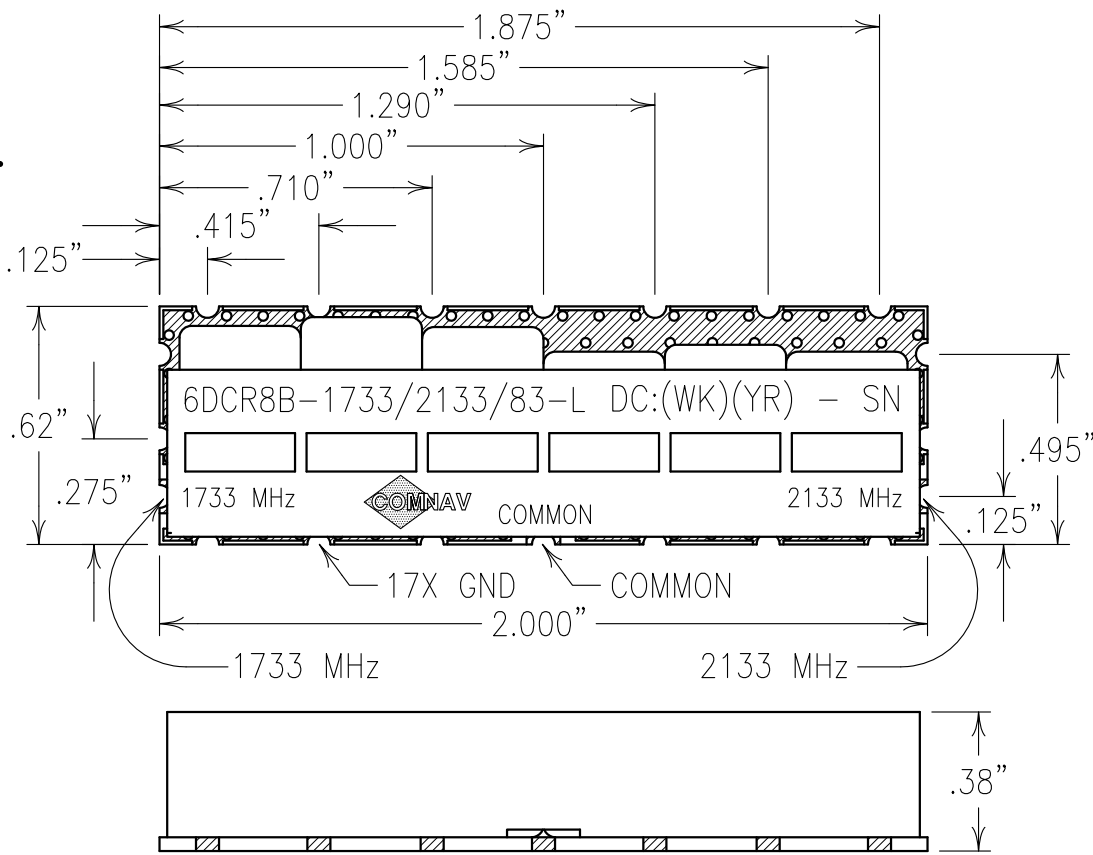
1



ELECTRICAL SPECIFICATIONS

CENTER FREQUENCY:	1733 MHz	2133 MHz
PASSBAND (MHz):	1710-1755	2110-2155
P.B. INSERTION LOSS:	1.5 dB MAX	
VSWR:	1.5:1 TYPICAL	
CO-CHANNEL ISOLATION:	40 dB MIN	
POWER HANDLING:	20 WATT INPUT	

COPY



NOTES:

FILTER IS ROHS COMPLIANT.
 FILTER MAY BE LABELED OR ETCHED.

Confidential and Proprietary information of ComNav Engineering Inc. Do Not Duplicate or Use Without Permission. ComNav Engineering Inc. claims Copyright in this document as of the Creation, last revision, and last updated dates. All Rights Reserved.

ENGLISH / METRIC	CHECKED BY				
ENGLISH					
TOLERANCES UNLESS OTHERWISE SPECIFIED	DRAWN BY	A	24OCT14	KJR	DEV. GEN. REV. PER 3852
MACHINED SURFACES TO BE 125/ OR BETTER REMOVE ALL BURRS	ENGINEER	II	28AUG14	KJR	DEV. INI. ISS. PER 3839
	KJR	REV	DATE	BY	DCN No. REMARKS

ENGLISH (INCHES)	METRIC (MM)	SCALE	APPLIC:
.XX ±.02 .XXX ±.010	.X ±.5 .XX ±.25	2:1	CERAMIC COAXIAL FILTER
ANGLES ± 0° 30'	DATE	TITLE:	
	24OCT14	6DCR8B-1733/2133/83-L	

COMNAV ENGINEERING INC	FINISH:	DRAWING No.	SHEET OF 1 1
	BOARD: NICKEL/GOLD RESONATOR: SILVER JACKET: NICKEL/SILVER	OL1451	