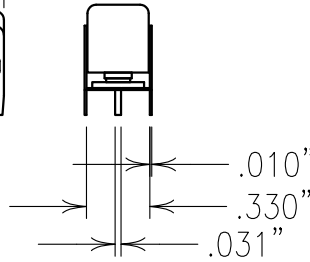
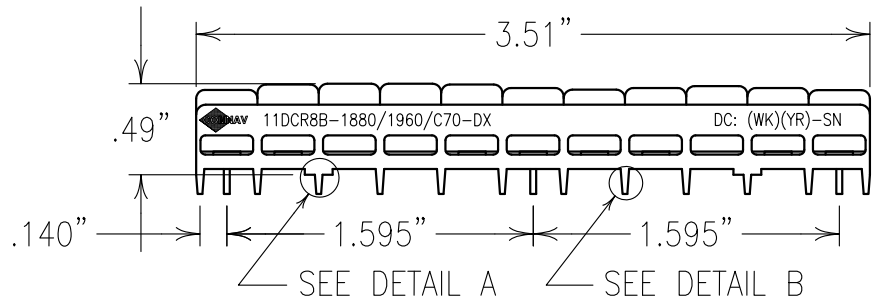


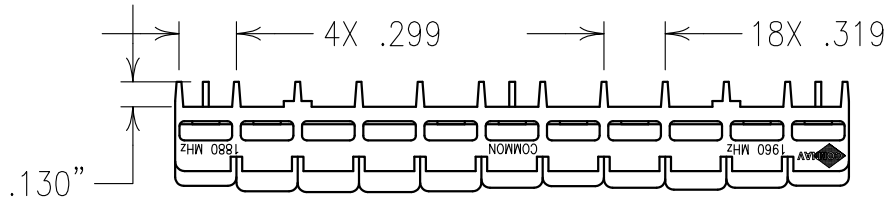
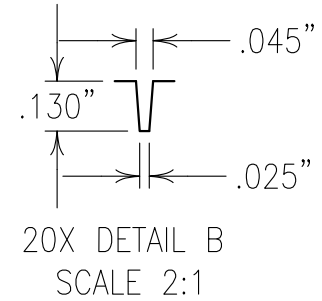
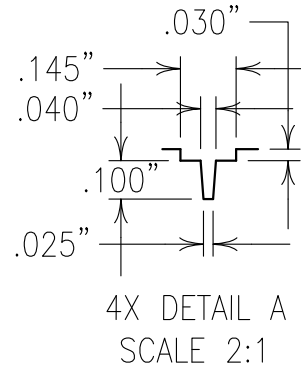
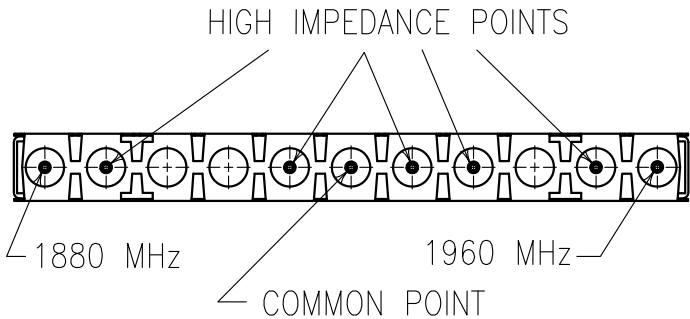
2

1



ELECTRICAL SPECIFICATIONS	
CENTER FREQUENCY: 1880 MHz	1960 MHz
PASSBAND (MHz): 1850-1910	1930-1990
P.B. INSERTION LOSS:	2.7 dB MAX
VSWR:	1.5:1 TYPICAL
CO-CHANNEL ISOLATION:	40 dB MIN
POWER HANDLING:	20 WATT INPUT

COPY



NOTES: FOR RECOMMENDED FOOTPRINT SEE FP0044.

FILTER IS ROHS COMPLIANT.
FILTER MAY BE LABELED OR ETCHED.

Confidential and Proprietary information of ComNav Engineering Inc. Do Not Duplicate or Use Without Permission. ComNav Engineering Inc. claims Copyright in this document as of the Creation, last revision, and last updated dates. All Rights Reserved.

ENGLISH / METRIC ENGLISH	CHECKED BY					
TOLERANCES UNLESS OTHERWISE SPECIFIED MACHINED SURFACES TO BE 125 / OR BETTER REMOVE ALL BURRS	DRAWN BY PFB	A	17OCT14	KJR	DEV.	GEN. REV. PER 3850
	ENGINEER KJR	II	28AUG14	KJR	DEV.	INI. ISS. PER 3839
		REV	DATE	BY	DCN No.	REMARKS
ENGLISH (INCHES) .XX ±.02 .XXX ±.010	METRIC (MM) .X ±.25 .XX ±.13	SCALE 1:1	APPLIC: CERAMIC COAXIAL FILTER			
ANGLES ± 0° 30'	DATE 17OCT14	TITLE: 11DCR8B-1880/1960/C70-DX				

	FINISH: BOARD: NI/AU JACKET: NI/SILVER RESONATOR: SILVER	DRAWING No. OL1450	SHEET OF 1 1
--	---	------------------------------	-----------------