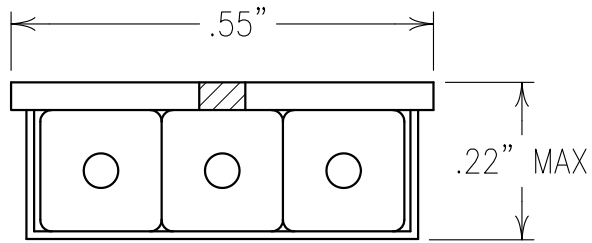


2

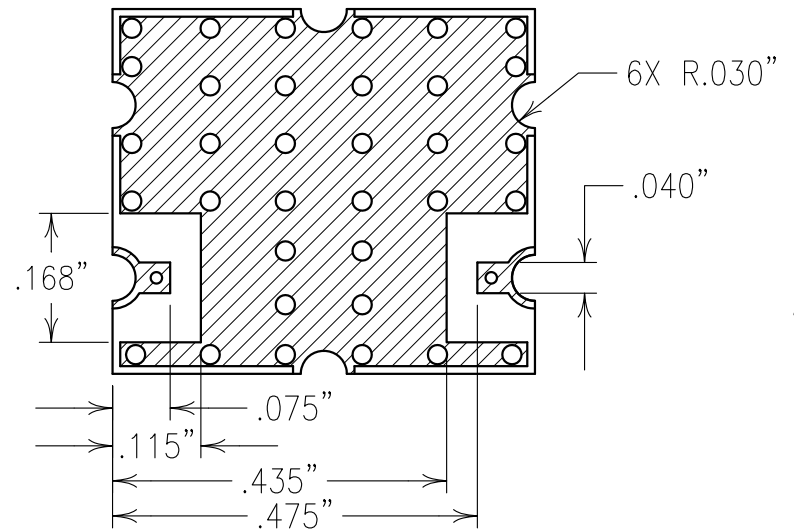
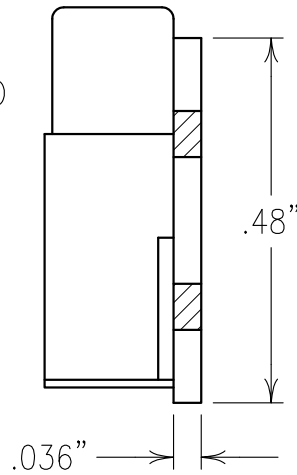
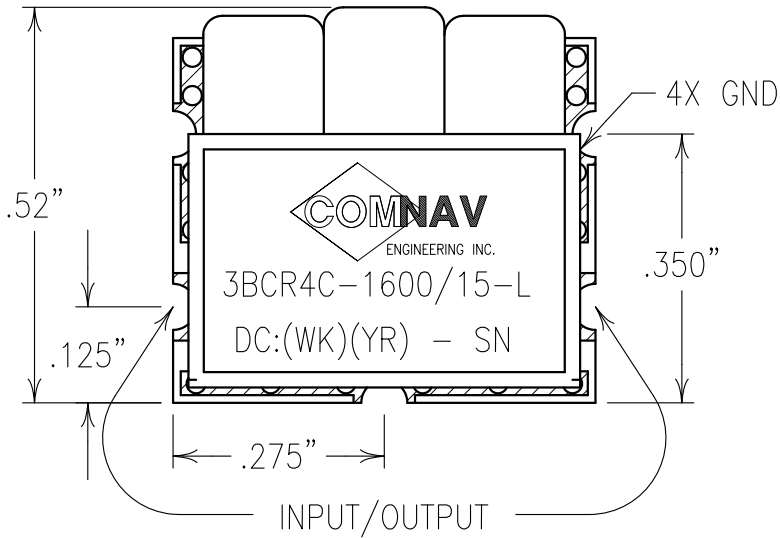
1



COPY

ELECTRICAL CHARACTERISTICS

CENTER FREQUENCY: 1600 MHz NOM
 3.0 dB BANDWIDTH: 15 MHz NOM
 LOSS @ FO: <4.0 dB MAX,
 3.5 dB TYPICAL
 VSWR: 1.7:1 TYPICAL
 REJECTION:
 FO ± 100 MHz: 60 dBc MIN

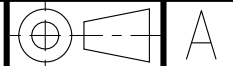


B

NOTES:

FILTER MAY BE LABELED OR ETCHED.
 FILTER IS ROHS COMPLIANT.

Confidential and Proprietary information of ComNav Engineering Inc. Do Not Duplicate or Use Without Permission. ComNav Engineering Inc. claims Copyright in this document as of the Creation, last revision, and last updated dates. All Rights Reserved.



ENGLISH / METRIC ENGLISH	CHECKED BY						
TOLERANCES UNLESS OTHERWISE SPECIFIED	DRAWN BY						
MACHINED SURFACES TO BE 125 / OR BETTER	ENGINEER	II	12AUG14	SMD	DEV.	INI.	ISS. PER 3826
REMOVE ALL BURRS	KJR	REV	DATE	BY	DCN No.	REMARKS	
ENGLISH (INCHES)	METRIC (MM)	SCALE	APPLIC: CERAMIC COAXIAL FILTER				
.XX ±.02	.X ±.50	4:1	TITLE: 3BCR4C-1600/15-L				
.XXX ±.010	.XX ±.25	DATE	DRAWING No.				
ANGLES ± 0° 30'		12AUG14	OL1445				
FINISH: BOARD: NI/GOLD JACKET: NI/SILVER RESONATOR: SILVER		DRAWING No.			SHEET OF		
COMNAV ENGINEERING INC.					1 1		

A