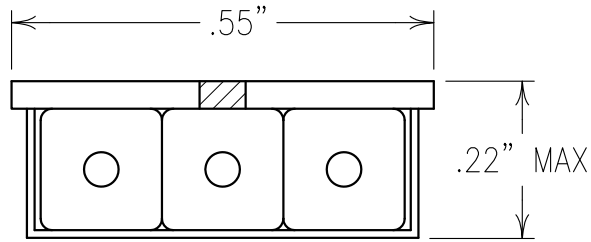


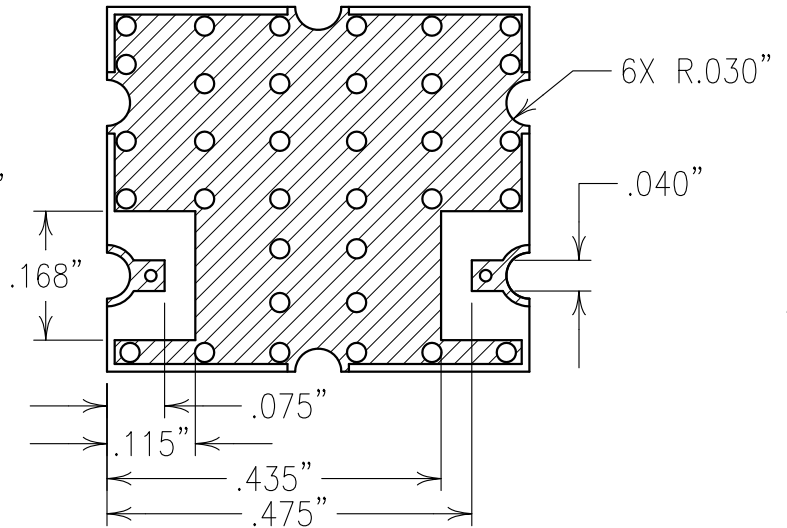
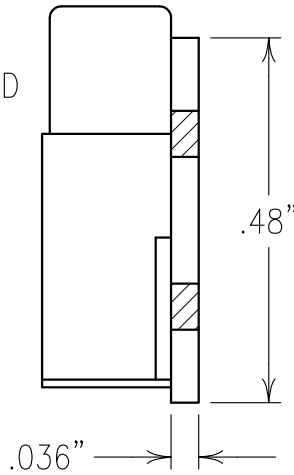
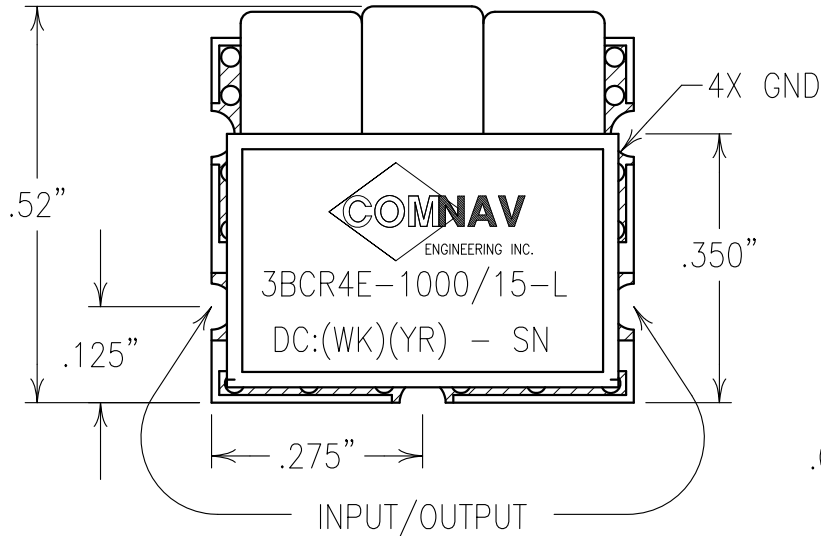
2

1



COPY

ELECTRICAL CHARACTERISTICS	
CENTER FREQUENCY:	1000 MHz NOM
3.0 dB BANDWIDTH:	15 MHz NOM
LOSS @ FO:	<4.0 dB MAX, 3.5 dB TYPICAL
VSWR:	1.7:1 TYPICAL
REJECTION:	
FO ± 100 MHz:	60 dBc MIN



NOTES:

FILTER MAY BE LABELED OR ETCHED.
FILTER IS ROHS COMPLIANT.

Confidential and Proprietary information of ComNav Engineering Inc. Do Not Duplicate or Use Without Permission. ComNav Engineering Inc. claims Copyright in this document as of the Creation, last revision, and last updated dates. All Rights Reserved.

ENGLISH / METRIC ENGLISH		CHECKED BY							
TOLERANCES UNLESS OTHERWISE SPECIFIED		DRAWN BY		PBF					
MACHINED SURFACES TO BE 125 / OR BETTER		ENGINEER		KJR		REV		DATE	
REMOVE ALL BURRS						BY		DCN No.	
ENGLISH (INCHES)		METRIC (MM)		SCALE		APPLIC:			
.XX ±.02		.X ±.50		4:1		CERAMIC COAXIAL FILTER			
.XXX ±.010		.XX ±.25		DATE		TITLE:			
ANGLES ± 0° 30'		13AUG14		3BCR4E-1000/15-L					
COMNAV ENGINEERING INC.		FINISH:				BOARD: NI/GOLD		DRAWING No.	
						JACKET: NI/SILVER		OL1444	
						RESONATOR: SILVER		SHEET OF	
								1 1	