

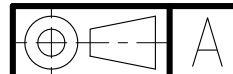
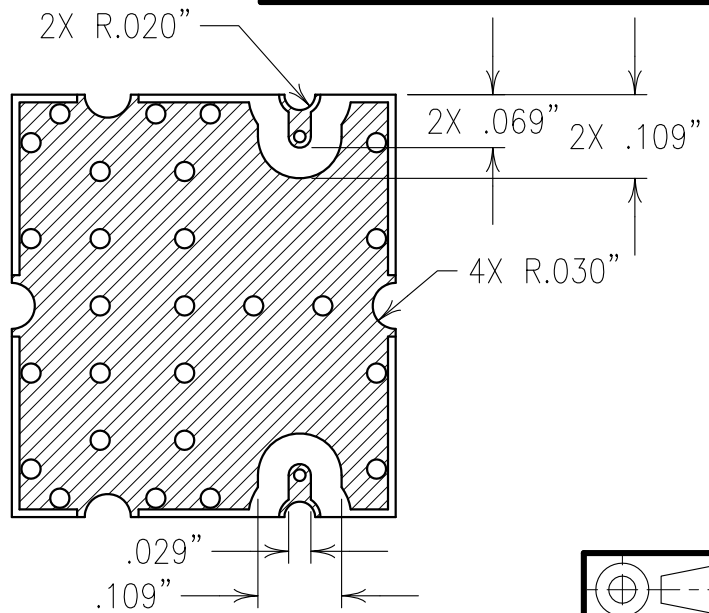
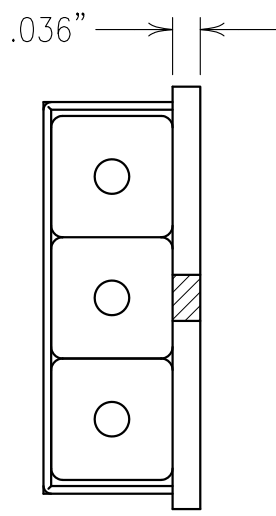
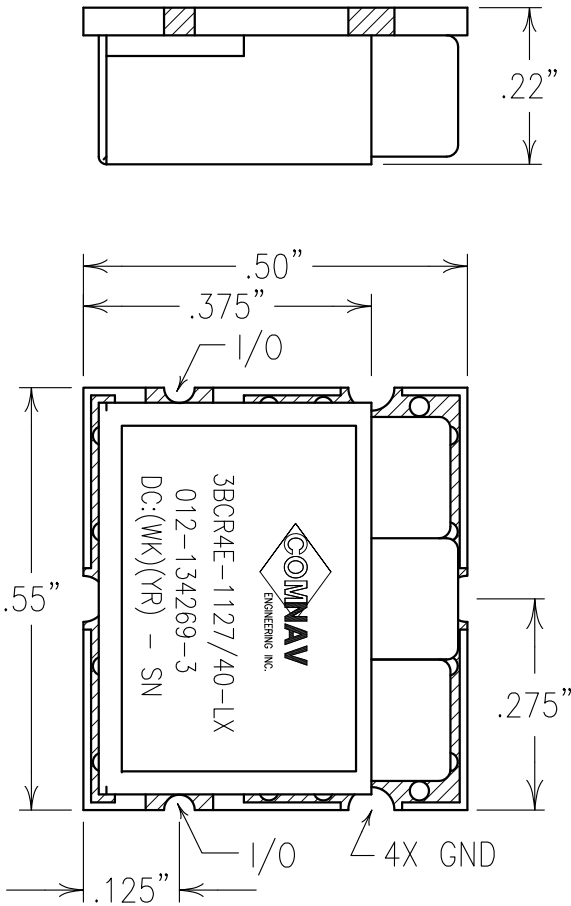
2

1

CUSTOMER PART#
012-134269-3

ELECTRICAL CHARACTERISTICS	
CENTER FREQUENCY	1127 MHz
PASSBAND	1118-1136 MHz
3.0 dB BANDWIDTH	40 MHz NOM
1.0 dB BANDWIDTH	18 MHz MIN
INSERTION LOSS	7.0 dB MAX
VSWR	1.5:1
REJECTION:	
DC-887 MHz	60 dBc
@ 1000 MHz	20 dBc
@ 1236-1300 MHz	10 dBc
> 1300 MHz	20 dBc
PACKAGE	LEADLESS SMT
OPERATING TEMP	-45 TO +85°C

COPY



NOTES:

FILTER IS ROHS COMPLIANT.
FILTER MAY BE ETCHED OR LABELED.

ENGLISH / METRIC ENGLISH	CHECKED BY					
TOLERANCES UNLESS OTHERWISE SPECIFIED	DRAWN BY					
MACHINED SURFACES TO BE 125/ OR BETTER	PBF	II	16JUL14	MJG	DEV.	INI. ISS. PER 3818
REMOVE ALL BURRS	ENGINEER	MJG	REV	DATE	BY	DCN No.
ENGLISH (INCHES)	METRIC (MM)	SCALE	APPLIC: CERAMIC COAXIAL FILTER			
.XX ±.02	.X ±.25	4:1	TITLE: 3BCR4E-1127/40-LX			
.XXX ±.010	.XX ±.13	DATE	DRAWING No. 011437			
ANGLES ± 0° 30'	21JUL14	FINISH:	BOARD: TIN PLATED COPPER		SHEET OF 1 1	
			JACKET: NI/SILVER			
			RESONATOR: SILVER			

Confidential and Proprietary information of ComNav Engineering Inc. Do Not Duplicate or Use Without Permission. ComNav Engineering Inc. claims Copyright in this document as of the Creation, last revision, and last updated dates. All Rights Reserved.

