

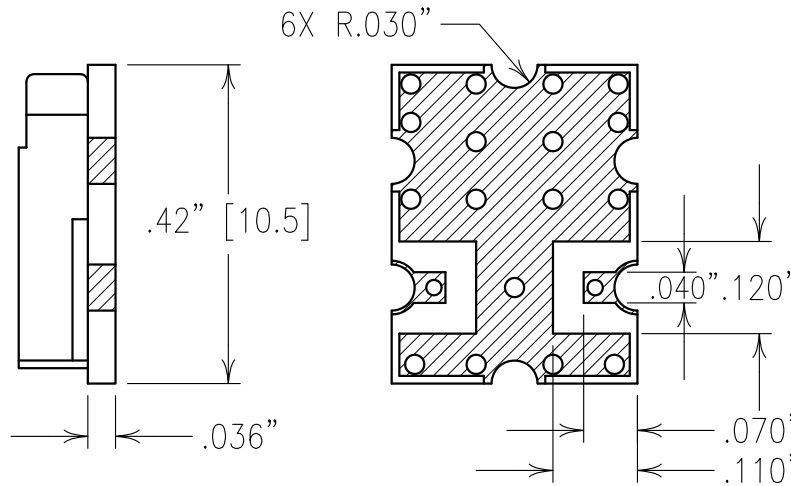
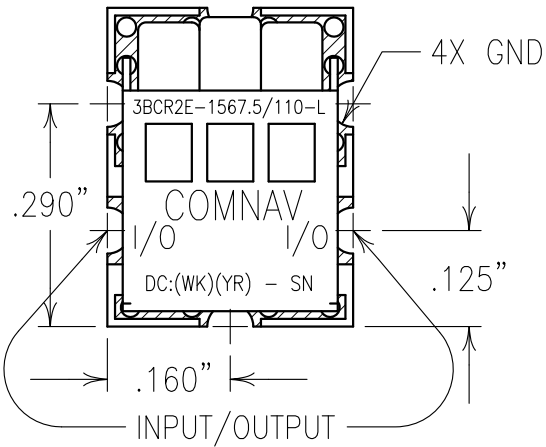
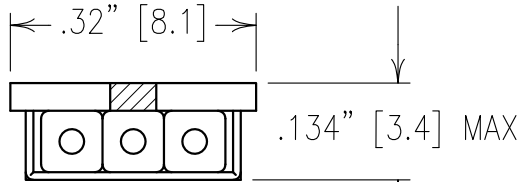
2

1

COPY

ELECTRICAL CHARACTERISTICS

CENTER FREQUENCY: 1567.5 MHz
 3.0 dB BANDWIDTH: 110 MHz NOM
 LOSS @ FO: 1.3 dB MAX
 PASSBAND: 1525-1610 MHz
 FLATNESS: 1.0 dB MAX
 VSWR: 1.7:1 MAX
 REJECTION:
 40 dBc MIN @ FO±300 MHz



Confidential and Proprietary information of ComNav Engineering Inc. Do Not Duplicate or Use Without Permission. ComNav Engineering Inc. claims Copyright in this document as of the Creation, last revision, and last updated dates. All Rights Reserved.

ENGLISH / METRIC ENGLISH	CHECKED BY					
-----------------------------	------------	--	--	--	--	--

TOLERANCES UNLESS OTHERWISE SPECIFIED	DRAWN BY					
MACHINED SURFACES TO BE 125 / OR BETTER REMOVE ALL BURRS	PBF	II	24JUN14	KJR	DEV.	INI. ISS. PER 3807
	ENGINEER	KJR	REV	DATE	BY	DCN No.
						REMARKS

ENGLISH (INCHES)	METRIC (MM)	SCALE	APPLIC:
.XX ±.01	.X ±.2	4:1	CERAMIC COAXIAL FILTER
.XXX ±.005	.XX ±.13	DATE	TITLE:
ANGLES ± 0° 30'		26JUN14	3BCR2E-1567.5/110-L

	FINISH: BOARD: NICKEL/GOLD JACKET: NICKEL/SILVER RESONATOR: SILVER	DRAWING No.	SHEET OF
		OL1434	1 1

NOTES:
 RECOMMENDED FOOTPRINT: FP0163

FILTER IS ROHS COMPLIANT.
 FILTER MAY BE ETCHED OR LABELED.