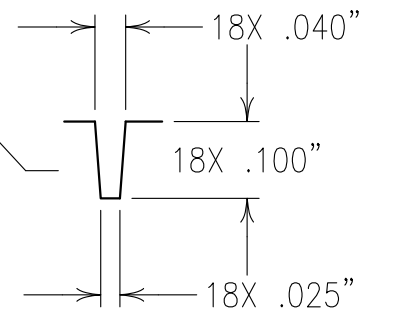
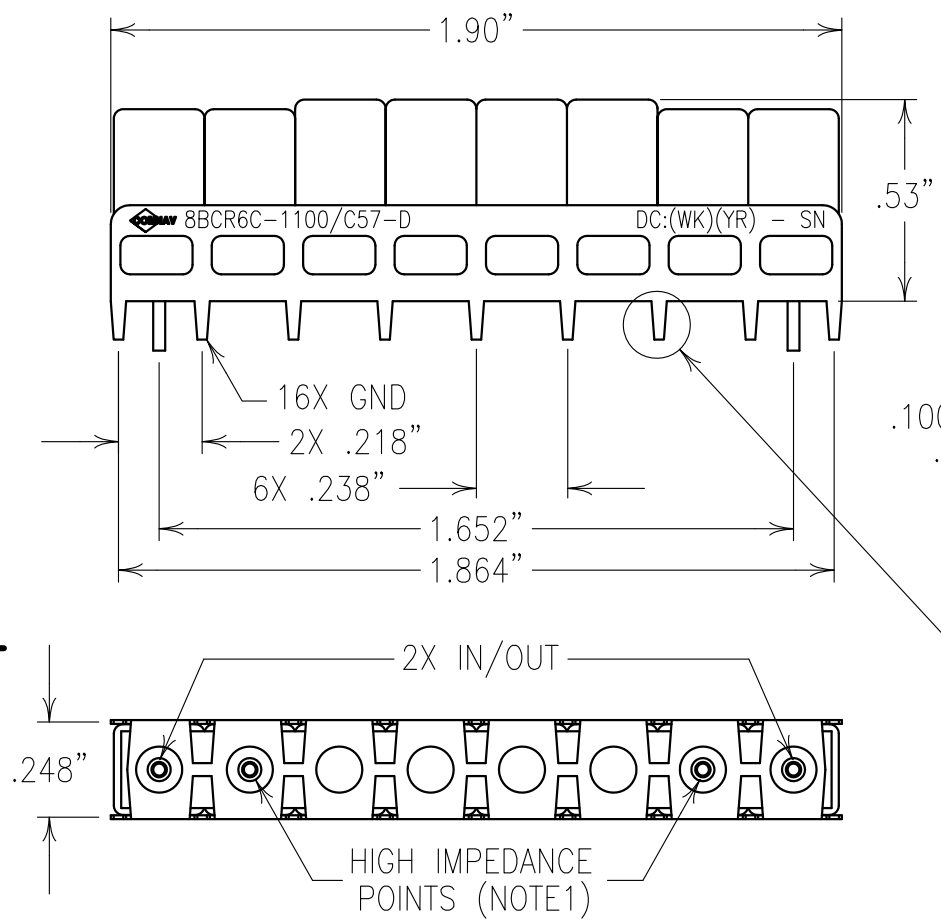


2

1

ELECTRICAL CHARACTERISTICS	
CENTER FREQUENCY:	1100 MHz
PASSBAND BANDWIDTH:	12 MHz
INSERTION LOSS:	2.1 dB MAX @ FO
AMPLITUDE FLATNESS:	±0.1 dB @ 1100±6.0 MHz
GROUP DELAY (LINEAR):	0.8 nSEC MAX
GROUP DELAY (PARABOLIC):	2.0 nSEC MAX
GROUP DELAY (RIPPLE):	0.5 nSEC MAX
PASSBAND RETURN LOSS:	14 dB MIN IN/OUT
REJECTION:	
	42 dBc MIN @ 1060 AND 1140 MHz
	62 dBc MIN @ 1040 AND 1160 MHz
	65 dBc MIN @ 970 MHz

B



COPY

NOTES:

1) THERE MUST BE A MINIMUM OF .050 AIR SPACE BETWEEN GROUND AND HIGH IMPEDANCE POINTS.
 THIS MAY BE ACCOMPLISHED BY RAISING THE FILTER OR DRILLING OUT THE BOARD.

FILTER IS ROHS COMPLIANT.
 FILTER MAY BE LABELED OR ETCHED.

Confidential and Proprietary information of ComNav Engineering Inc. Do Not Duplicate or Use Without Permission. ComNav Engineering Inc. claims Copyright in this document as of the Creation, last revision, and last updated dates. All Rights Reserved.						A	
ENGLISH / METRIC ENGLISH	CHECKED BY						
TOLERANCES UNLESS OTHERWISE SPECIFIED MACHINED SURFACES TO BE 125 / OR BETTER REMOVE ALL BURRS	DRAWN BY PBF	II	04JUN14	KJR	DEV.	INI. ISS. PER 3798	
ENGLISH (INCHES) .XX ±.02 .XXX ±.010	METRIC (MM) .X ±.5 .XX ±.25	ENGINEER KJR	REV	DATE	BY	DCN No.	REMARKS
ANGLES ± 0° 30'	SCALE 2:1	APPLIC: CERAMIC COAXIAL FILTER					
	DATE 05JUN14	TITLE: 8BCR6C-1100/C57-D					
COMNAV ENGINEERING INC.		FINISH: JACKET: NICKEL/SILVER RESONATOR: SILVER				DRAWING No. 0L1432	
						SHEET OF 1 1	

A