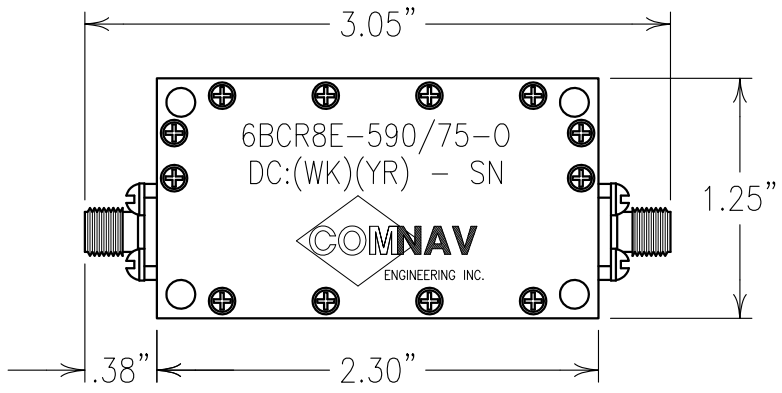


2

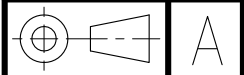
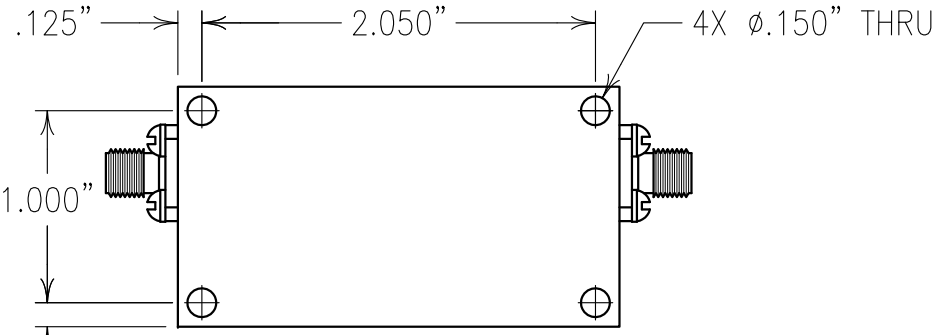
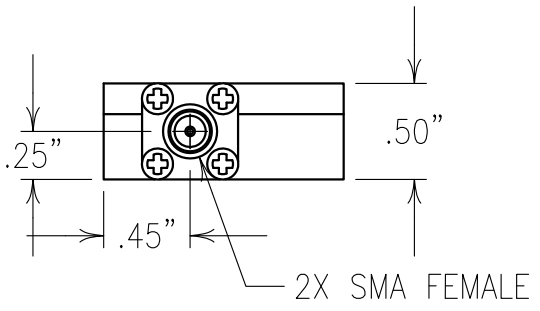
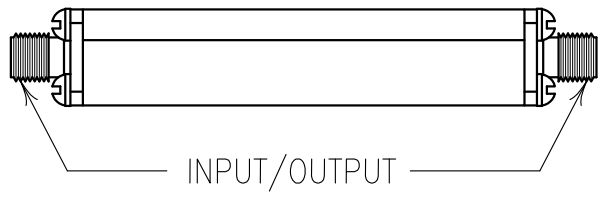
1



COPY

ELECTRICAL CHARACTERISTICS

CENTER FREQUENCY: 590 MHz NOM
 3.0 dB BANDWIDTH: 75 MHz NOM
 PASSBAND: 560-620 MHz
 PASSBAND LOSS: 1.0 dB MAX
 P.B. RETURN LOSS: -18 dB
 REJECTION:
 70 dBc MIN @ DC-470 MHz
 POWER HANDLING: 50 WATTS
 OPERATING TEMP.: -40 TO +85°C



Confidential and Proprietary information of ComNav Engineering Inc. Do Not Duplicate or Use Without Permission. ComNav Engineering Inc. claims Copyright in this document as of the Creation, last revision, and last updated dates. All Rights Reserved.

ENGLISH / METRIC CHECKED BY ENGLISH					
TOLERANCES UNLESS OTHERWISE SPECIFIED MACHINED SURFACES TO BE 125 OR BETTER REMOVE ALL BURRS	DRAWN BY PBF				
	ENGINEER MJG	II	25MAR14	MJG	DEV. INI. ISS. PER 3777
	REV	DATE	BY	DCN No.	REMARKS

NOTES:

ENGLISH (INCHES) .XX ±.02 .XXX ±.01	METRIC (MM) .X ±.2 .XX ±.13	SCALE 1:1	APPLIC: CERAMIC FILTER
ANGLES ± 0° 30'	DATE 26MAR14	TITLE: 6BCR8E-590/75-0	SHEET OF 1 1
MATERIAL: ALUMINUM FINISH: SILVER		DRAWING No. OL1422	

