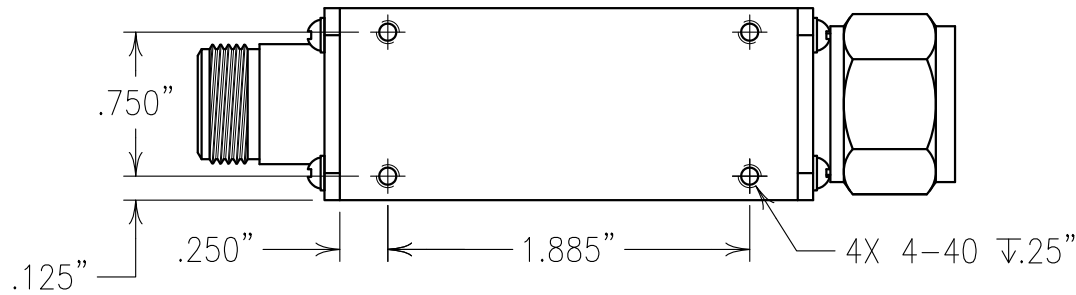


2

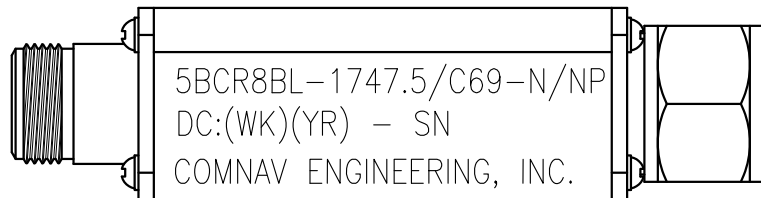
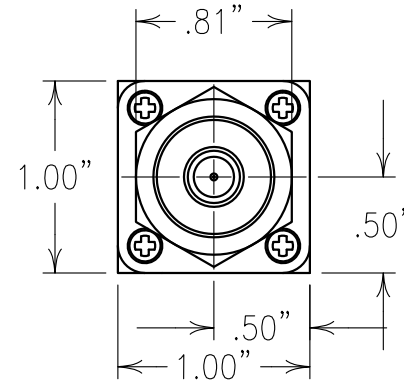
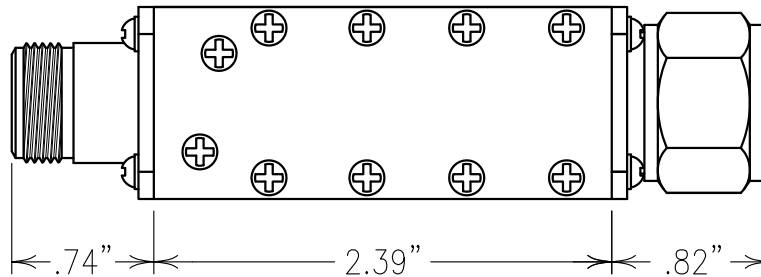
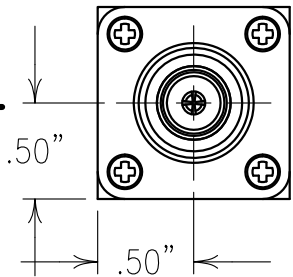
1



### ELECTRICAL CHARACTERISTICS

CENTER FREQUENCY: 1747.5 MHz NOM  
 3 dB BANDWIDTH: 69 MHz MIN  
 INSERTION LOSS: 1.9 dB MAX @ F0  
 VSWR: 1.5:1 TYPICAL  
 REJECTION:  
 36 dBc MIN @ 1805-1880 MHz

# COPY



Confidential and Proprietary information of ComNav Engineering Inc. Do Not Duplicate or Use Without Permission. ComNav Engineering Inc. claims Copyright in this document as of the Creation, last revision, and last updated dates. All Rights Reserved.

ENGLISH / METRIC ENGLISH	CHECKED BY				
TOLERANCES UNLESS OTHERWISE SPECIFIED	DRAWN BY PBF				
MACHINED SURFACES TO BE 125/100 OR BETTER	ENGINEER KJR	II	06MAR14	KJR	DEV. INI. ISS. PER 3771
REMOVE ALL BURRS	REV	DATE	BY	DCN No.	REMARKS

ENGLISH (INCHES) .XX ±.02 .XXX ±.010	METRIC (MM) .X ±.5 .XX ±.25	SCALE 1:1	APPLIC: CERAMIC COAXIAL FILTER
ANGLES ± 0° 30'		DATE 17MAR14	TITLE: 5BCR8BL-1747.5/C69-N/NP
			SHEET OF 1 1

NOTES:

FILTER MUST BE ETCHED.  
 FILTER IS ROHS COMPLIANT.

MATERIAL: ALUMINUM	DRAWING No.
FINISH: SILVER OVER COPPER WITH TARN-BAN MILSPEC QQ-S-365	OL1411