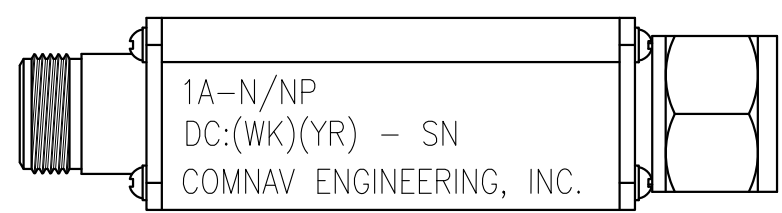
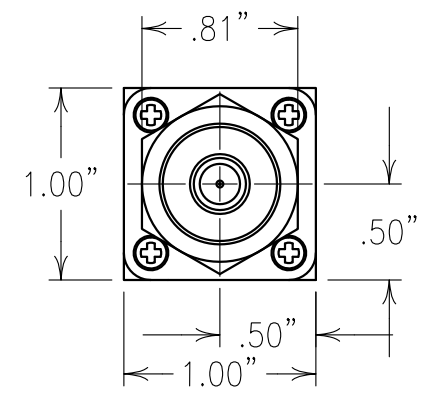
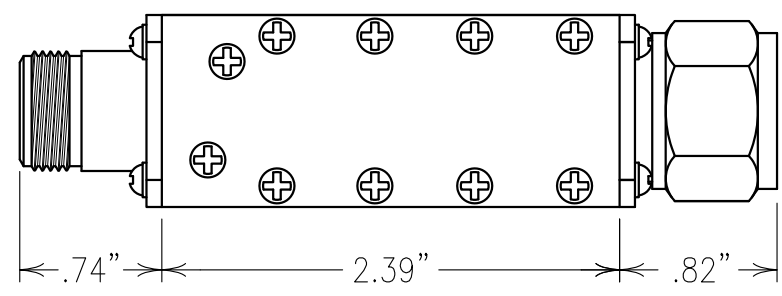
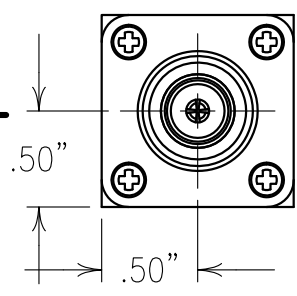
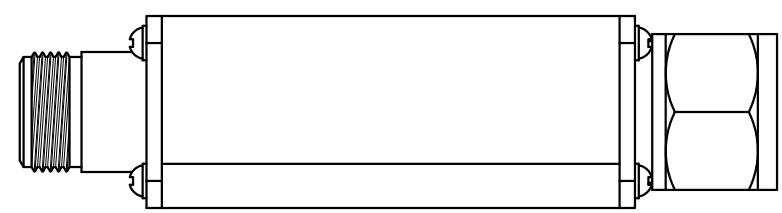


ELECTRICAL CHARACTERISTICS	
PASSBAND:	0-6 GHz
PASSBAND VSWR:	1.9:1
PASSBAND LOSS:	1.0 dB MAX

COPY



Confidential and Proprietary information of ComNav Engineering Inc. Do Not Duplicate or Use Without Permission. ComNav Engineering Inc. claims Copyright in this document as of the Creation, last revision, and last updated dates. All Rights Reserved.

ENGLISH / METRIC ENGLISH	CHECKED BY				
TOLERANCES UNLESS OTHERWISE SPECIFIED MACHINED SURFACES TO BE 125/100 OR BETTER REMOVE ALL BURRS	DRAWN BY	A	28APR14	KJR	DEV. GEN. REV. PER 3790
	ENGINEER	II	06MAR14	KJR	DEV. INI. ISS. PER 3771
	KJR	REV	DATE	BY	DCN No. REMARKS

NOTES:

FILTER MUST BE ETCHED.
FILTER IS ROHS COMPLIANT.

ENGLISH (INCHES)	METRIC (MM)	SCALE 1:1	APPLIC: CERAMIC COAXIAL FILTER
.XX ±.02	.X ±.5	DATE 28APR14	TITLE: 1A-N/NP
.XXX ±.010	.XX ±.25		SHEET OF 1 1
ANGLES ± 0° 30'			

MATERIAL: ALUMINUM	DRAWING No.
FINISH: SILVER OVER COPPER WITH TARN-BAN MILSPEC QQ-S-365	OL1409